

## DRAWINGS LIST

**Project** : 19.5M Diameter Octagonal Astech® Enhanced Safety Aluminium Helideck

S/N	Drawing Title	Drawing No.	Rev.	Issue Date	Remarks
1.	General Layout	HA/247/S-01 (SHT 1 OF 1)	0	24.09.09	For Approval
2.	Alum. Girder Beam Layout & Details	HA/247/S-02 (SHT 1 OF 2)	0	24.09.09	For Approval
3.	Alum. Girder Beam Layout & Details	HA/247/S-02 (SHT 2 OF 2)	0	24.09.09	For Approval
4.	Transition Plate Layout & Details	HA/247/S-03 (SHT 1 OF 2)	0	24.09.09	For Approval
5.	Transition Plate Layout & Details	HA/247/S-03 (SHT 2 OF 2)	0	24.09.09	For Approval
6.	Alum Decking Layout & Details	HA/247/S-04 (SHT 1 OF 2)	0	24.09.09	For Approval
7.	Alum Decking Layout & Details	HA/247/S-04 (SHT 2 OF 2)	0	24.09.09	For Approval
8.	Gutter Layout & Details	HA/247/S-05 (SHT 1 OF 2)	0	24.09.09	For Approval
9.	Gutter Layout & Details	HA/247/S-05 (SHT 2 OF 2)	0	24.09.09	For Approval
10.	Safety Net Support Layout	HA/247/S-06 (SHT 1 OF 3)	0	24.09.09	For Approval
11.	Safety Net Frame Layout	HA/247/S-06 (SHT 2 OF 3)	0	24.09.09	For Approval
12.	Safety Net Details	HA/247/S-06 (SHT 3 OF 3)	0	24.09.09	For Approval
13.	Lighting Layout & Details	HA/247/S-07 (SHT 1 OF 3)	0	24.09.09	For Approval
14.	Lighting Layout & Details	HA/247/S-07 (SHT 2 OF 3)	0	24.09.09	For Approval
15.	Lighting Layout & Details	HA/248/S-07 (SHT 3 OF 3)	0	24.09.09	For Approval
16.	Tie Down Layout & Details	HA/247/S-08 (SHT 1 OF 2)	0	24.09.09	For Approval
17.	Tie Down Layout & Details	HA/247/S-08 (SHT 2 OF 2)	0	24.09.09	For Approval
18.	Marking Layout & Details	HA/247/S-09 (SHT 1 OF 2)	0	24.09.09	For Approval
19.	Marking Layout & Details	HA/247/S-09 (SHT 2 OF 2)	0	24.09.09	For Approval
20.	Landing Net Layout & Details	HA/247/S-10 (SHT 1 OF 1)	0	24.09.09	For Approval
21.	Platform & Staircase Layout & Details	HA/247/S-11 (SHT 1 OF 3)	0	24.09.09	For Approval
22.	Platform & Staircase Layout & Details	HA/247/S-11 (SHT 2 OF 3)	0	24.09.09	For Approval
23.	Platform & Staircase Layout & Details	HA/247/S-11 (SHT 3 OF 3)	0	24.09.09	For Approval

Approved  
 Date: 21-09-2009  
 Houston Letter R

**GENERAL NOTES:**

1. ALL FABRICATION & ASSEMBLY OF STRUCTURAL ALUMINUM COMPLY WITH THE REQUIREMENTS OF BS 818 PART 2 (SPECIFICATION FOR MATERIALS, WORKMANSHIP AND PROTECTION)
2. ALL BOLTS, NUTS AND WASHERS (PROVIDED BY AOP) USED FOR ALUMINUM MEMBERS ARE S.S. 316 UNLESS SPECIFIED.
3. 2 MM THK. HECPRENE SHEETS ARE PROVIDED IN BETWEEN THE FORMWORK-SARGAGE-OF-ALUMINUM-AND-STEEL-MEMBERS.
4. DESIGN HELICOPTER IS SUPER PUMA AS332L2 (MTOW = 9.3MT), CAP 437 (6<sup>th</sup> EDITION)
5. FABRICABLE SOURCE - STANDARD
6. CLASSIFICATION SOCIETY - ABS.
7. MATERIAL SPECIFICATIONS:  
 DECKING - AA6082-T8  
 L-BEAMS - AA6082-T8  
 C-CHANNELS - AA6082-T8  
 HANDRAILS - AA6082-T8  
 DOWNCOMER PIPES - AA6082-T8  
 DOWNCOMER FITTINGS - AA6082-T8  
 SPACER PLATES - AA6082-T8 UNLESS NOTED  
 BOLTS AND NUTS - SSS316 OR A4-70  
 STAIR STEPS - AA6082-T8

- LEGENDS:**
- ⊕ DENOTES LOCATION OF GUTTER SCUPPER
  - ⊗ DENOTES SAFETY NET
  - ⊙ DENOTES HELICOPTER TIE-DOWN
  - ⊕ DENOTES PERMETER LIGHT (24 NOS.)
  - ⊕ DENOTES FLOOD LIGHT (4 NOS.)

FOR APPROVAL

REV.	AMENDMENTS	INITIAL	DATE
0	ISSUED FOR CLIENT'S APPROVAL	G.B.	24.09.08

**NOTICE**  
 THE DRAWING AND THE INFORMATION CONTAINED HEREIN ARE THE PROPERTY OF ASTEC® AND ARE TO BE USED ONLY FOR THE PROJECT AND PURPOSE EXCEPT BY WRITTEN PERMISSION.

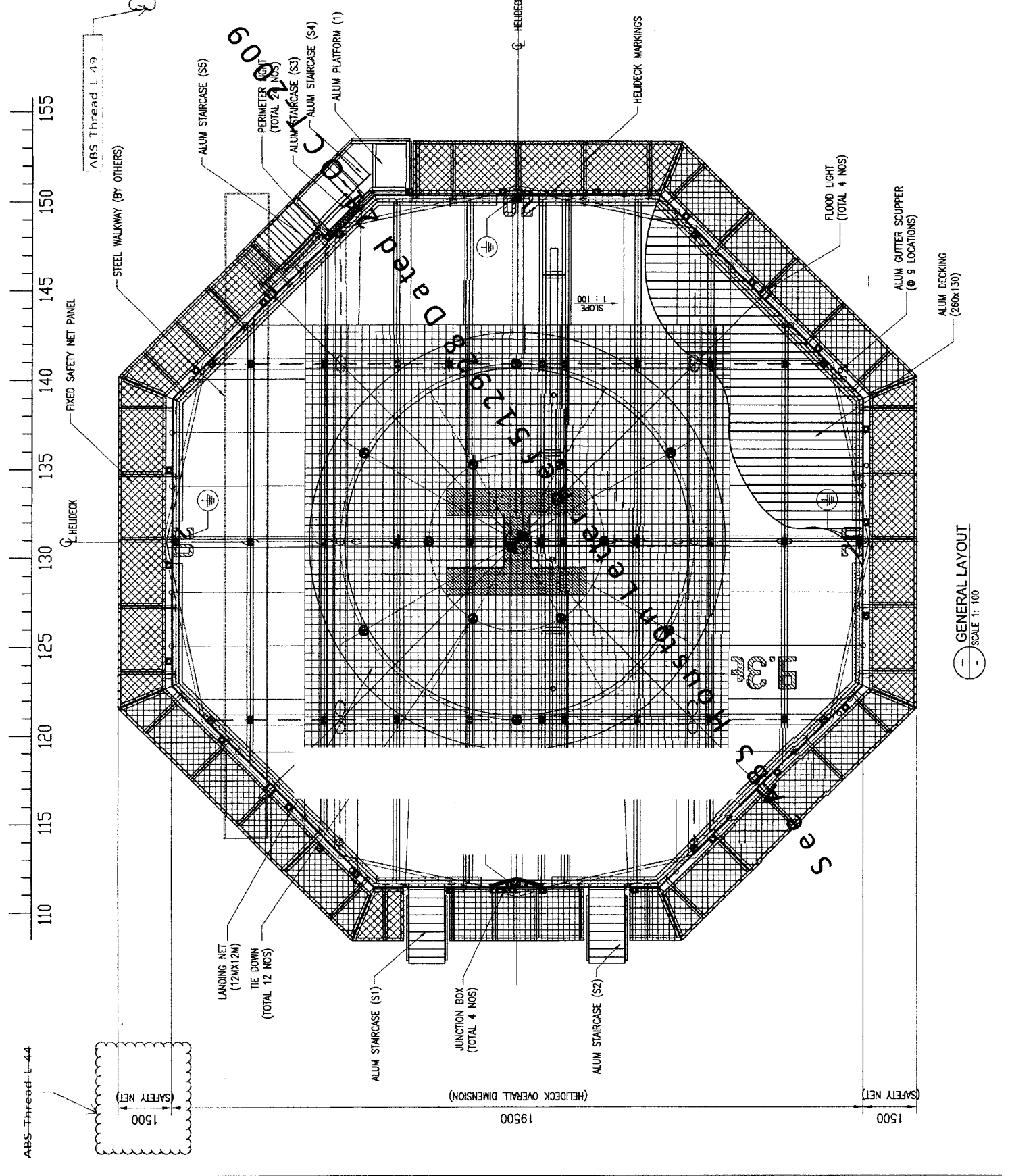
CUSTOMER

PROJECT NAME  
 19.5M DIAMETER OCTAGONAL ASTEC® ENHANCED SAFETY ALUMINUM HELICOPTER

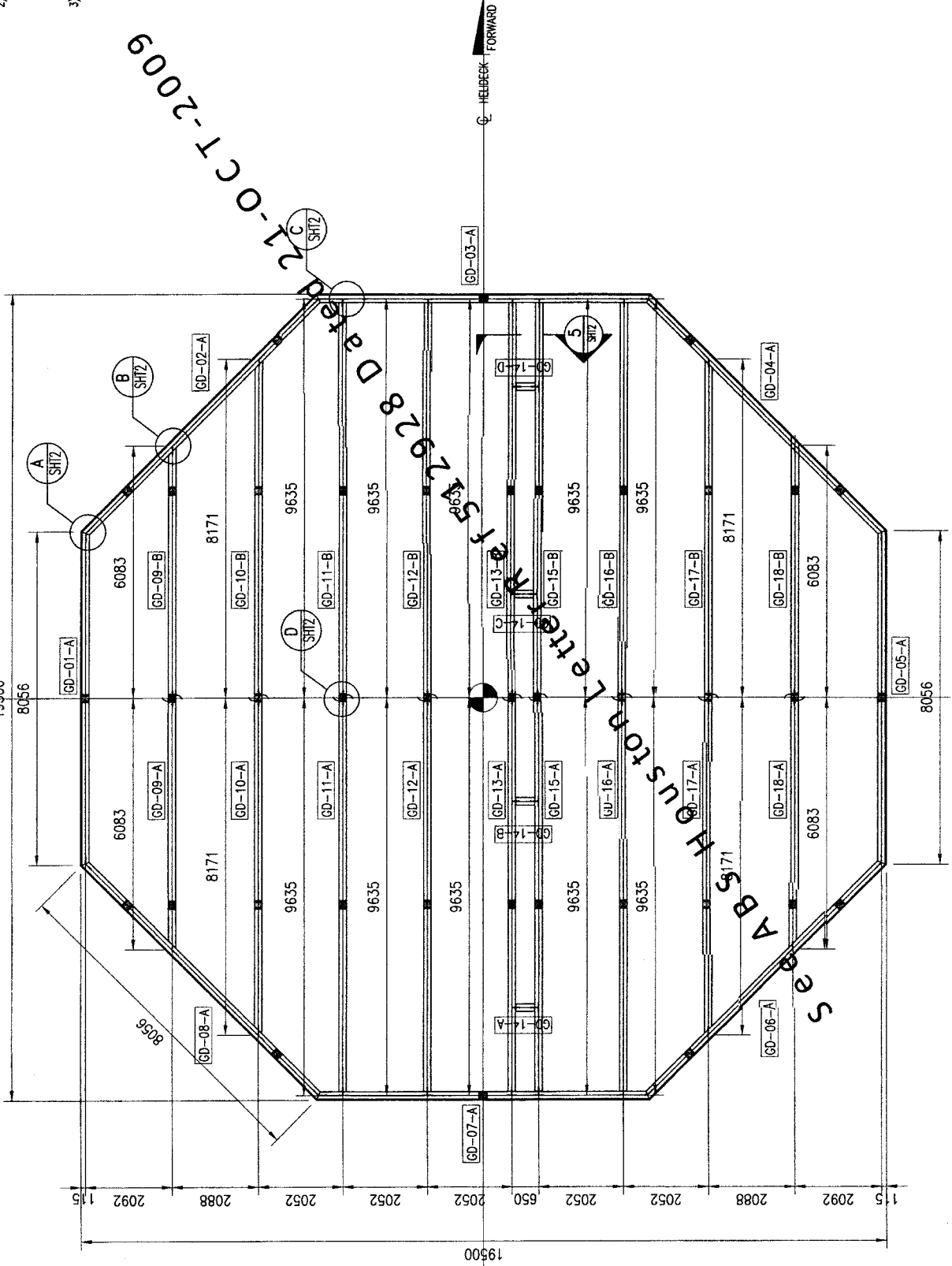
DESCRIPTION  
 GENERAL LAYOUT

JOB NO.	SCALE	REVISION ON
1100	1:100	CAO FILE NO.
DESIGNED G.B.	12.05.08	(N)
DRAWN G.B.	12.05.08	REV. 0
CHECKED Y.Y.	12.05.08	SHEET/SHEETS 1 OF 1

UNLESS OTHERWISE STATED ALL DIMENSIONS ARE IN MM



GENERAL LAYOUT  
 SCALE 1:100



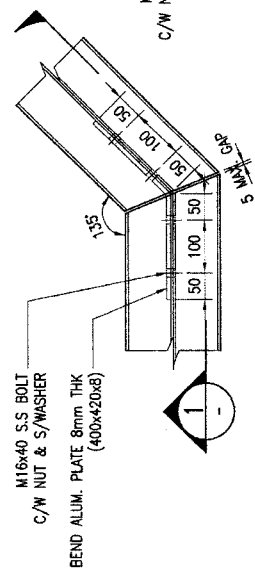
- NOTES:
- 1) ALL ALUM. GIRDER ARE 1-470x180x7.5x11 (AA 6082-16) UNLESS OTHERWISE SPECIFIED;
  - 2) ALL GIRDER PIECE MARKS TO BE READ AS FOLLOWS :
  - 3) } DENOTES GIRDER PIECE. MARK NO.  
 } DENOTES GIRDER SPLICE

FOR APPROVAL

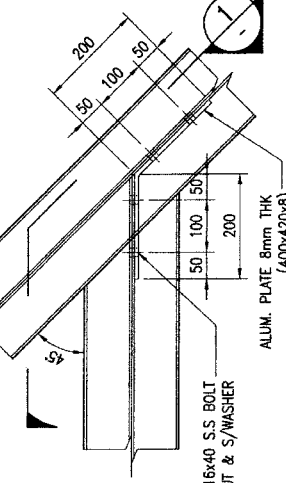
REV.	ISSUED FOR CLIENT'S APPROVAL	DATE
0		7/20/09
NOTICE	THIS DRAWING AND THE INFORMATION IT CONTAINS ARE THE PROPERTY OF HEUBECK & COMPANY INC. IT IS TO BE REPRODUCED OR USED IN ANY MANNER WITHOUT THE WRITTEN PERMISSION OF HEUBECK & COMPANY INC.	
CUSTOMER		
PROJECT NAME	18.5M DIAMETER OCTAGONAL ASSTIFF. PARAMOUNT SAFETY ALUMINIUM HELDECK	
DESCRIPTION	ALUMINIUM GIRDER BEAM LAYOUT & DETAILS	
JOB NO.	SCALE	DATE
DESIGNED	G.B.	12/26/09
DRAWN	D.B.	12/26/09
CHECKED	V.Y.	12/26/09
		1 OF 2

ALUM GIRDER LAYOUT  
SCALE 1" = 100'

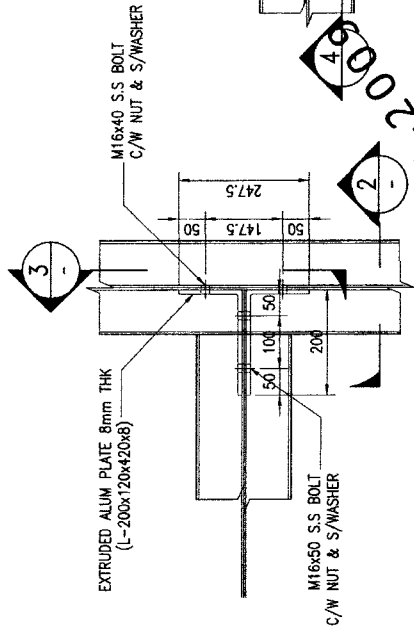
**A** DETAIL  
SHEET SCALE 1: 10



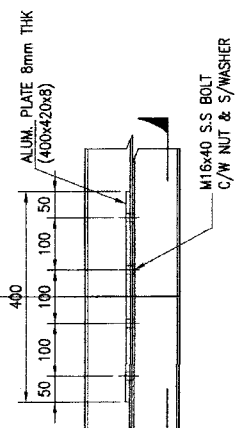
**B** DETAIL  
SHEET SCALE 1: 10



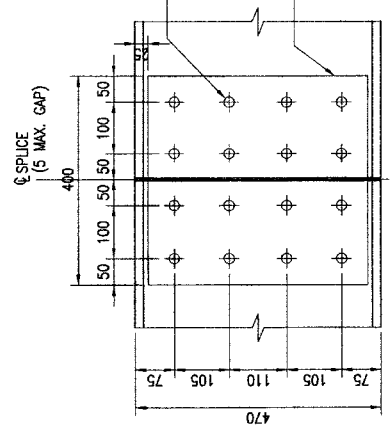
**C** DETAIL  
SHEET SCALE 1: 10



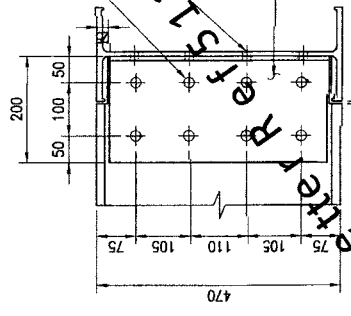
**D** DETAIL  
SHEET SCALE 1: 10



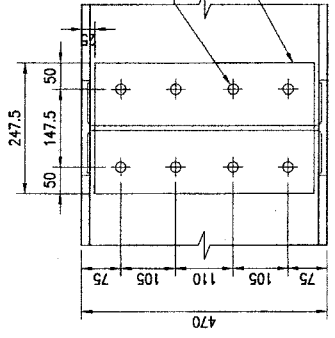
**1** SECTION  
SCALE 1: 10



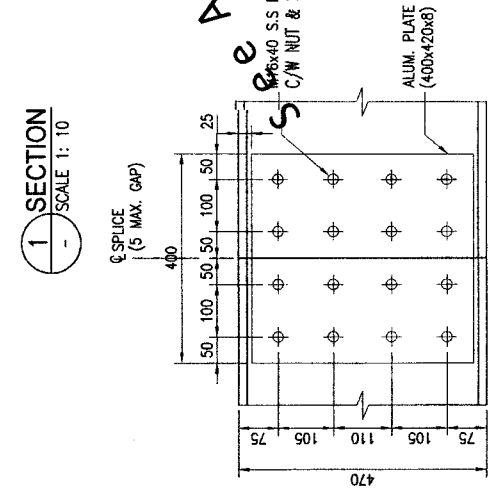
**2** SECTION  
SCALE 1: 10



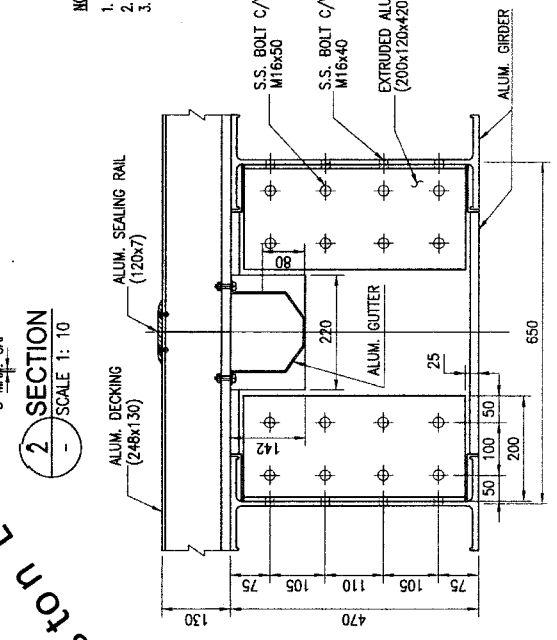
**3** SECTION  
SCALE 1: 10



**4** SECTION  
SCALE 1: 10



**5** SECTION  
SHEET SCALE 1: 10



NOTES:  
 1. ALL CUTTING EDGES OR SHARP EDGES TO BE GROUND SMOOTH.  
 2. ALL CORNERS SHALL BE GROUND TO MIN. RADIUS OF 5mm.  
 3. ALL BOLT HOLES TO BE Ø6mm MAX.

FOR APPROVAL

REV.	0	ISSUED FOR CLIENT'S APPROVAL	C.B.	24.09.09	INITIAL	DATE
REV.		AMENDMENTS				
NOTICE						
THIS DRAWING AND THE INFORMATION IT CONTAINS ARE THE PROPERTY OF ALUMINUM HOUSTON. NO PART OF THIS DRAWING IS TO BE REPRODUCED OR TRANSMITTED IN ANY FORM OR BY ANY MEANS, ELECTRONIC OR MECHANICAL, WITHOUT PERMISSION.						
CUSTOMER						
PROJECT NAME						
15.5M DIAMETER OCTAGONAL ASITCH® FINANCIAL SAFETY ALUMINUM RAIL						
DESCRIPTION						
ALUMINUM GIRDER BEAM LAYOUT & DETAILS						
JOB NO.	SCALE	DRAWING NO.	DATE	DATE	DATE	DATE
DESIGNED	C.B.	12.05.09	AS SHOWN			
DRAWN	C.B.	12.05.09	(A)			
CHECKED						
DATE	BY	DATE	BY	DATE	BY	DATE
SHEET NUMBER						
2 OF 2						

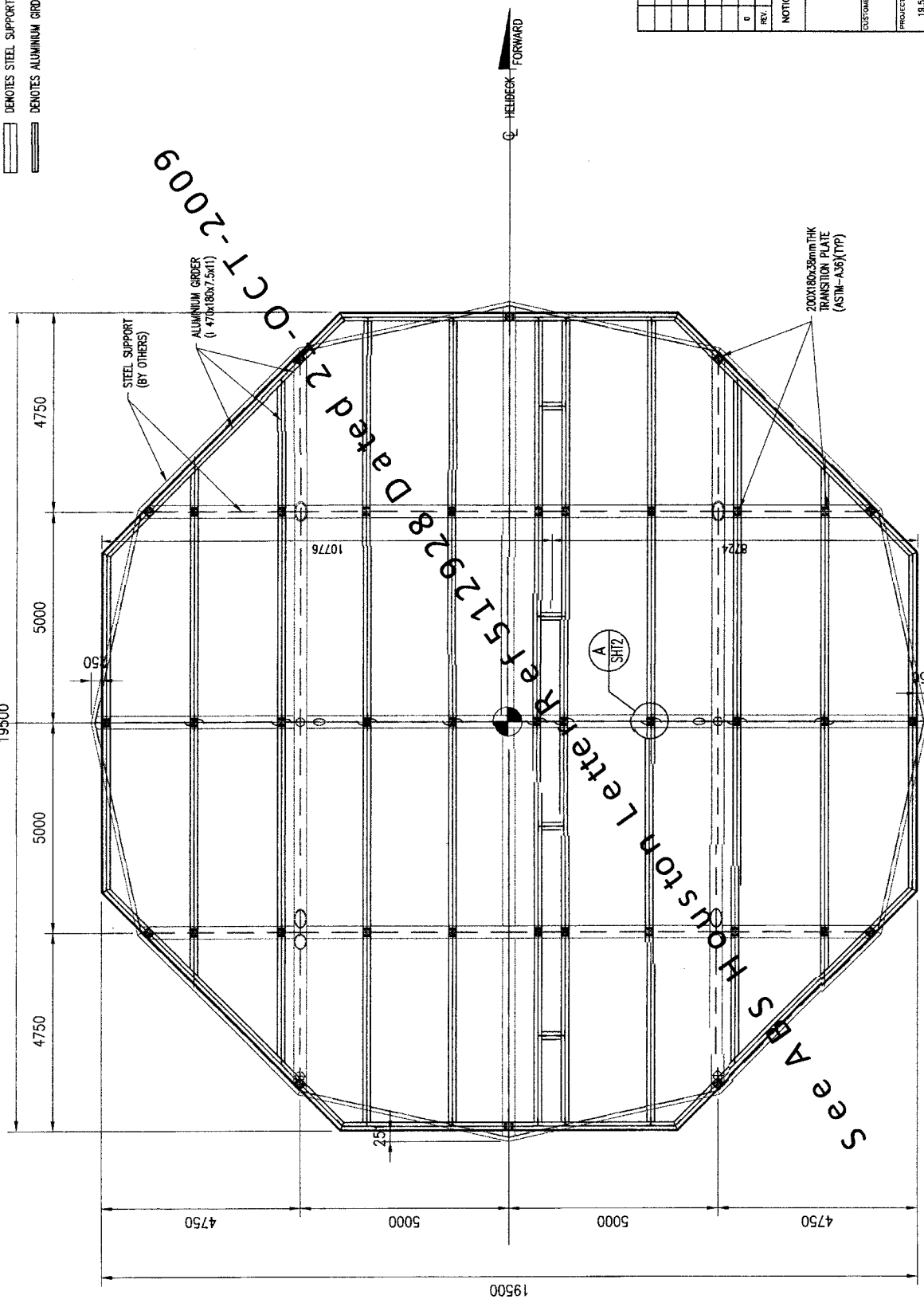
ABS Houston Letter B dated 21/12/09



LEGENDS:  
 DENOTES LOCATION OF STEEL TRANSITION JOINT (39 NOS)  
 DENOTES STEEL SUPPORT BEAM  
 DENOTES ALUMINIUM GIRDER

DENOTES LOCATION OF STEEL TRANSITION JOINT (39 NOS)  
 DENOTES STEEL SUPPORT BEAM  
 DENOTES ALUMINIUM GIRDER

HELIDECK 19500



FOR APPROVAL

REV.	ISSUED FOR CLIENT'S APPROVAL	BY	DATE
0			

AMENDMENTS INITIAL DATE

NOTICE: THE DRAWING AND THE INFORMATION CONTAINED HEREIN ARE THE PROPERTY OF ALUMINIUM HELIDECK PVT. LTD. AND ARE NOT TO BE REPRODUCED OR TRANSMITTED IN ANY FORM OR BY ANY MEANS, ELECTRONIC OR MECHANICAL, INCLUDING PHOTOCOPYING, RECORDING, OR BY ANY INFORMATION STORAGE AND RETRIEVAL SYSTEM, WITHOUT THE WRITTEN PERMISSION OF ALUMINIUM HELIDECK PVT. LTD.

CUSTOMER: \_\_\_\_\_

PROJECT NAME: 19.5M DIAMETER OCTAGONAL ASTICH® FINISHED SAFETY ALUMINIUM HELIDECK

DESCRIPTION: TRANSITION PLATE LAYOUT & DETAILS

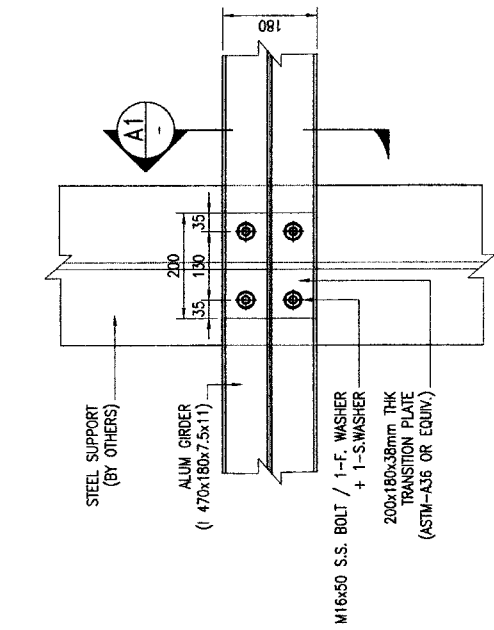
SUB NO.	NAME	DATE	SCALE	DRAWING NO.
DESIGNED	G.B.	19.08.09	1:100	CAD FILE NO.
DRAWN	G.B.	19.08.09	(A)	
CHECKED	Y.Y.	19.08.09		

REVISIONS: REV. 0

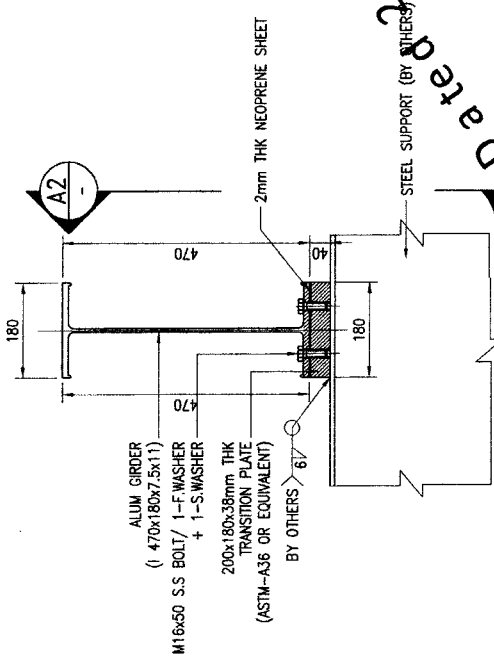
SHEET NO. 1 OF 2

UNLESS OTHERWISE STATED ALL DIMENSIONS ARE IN MM

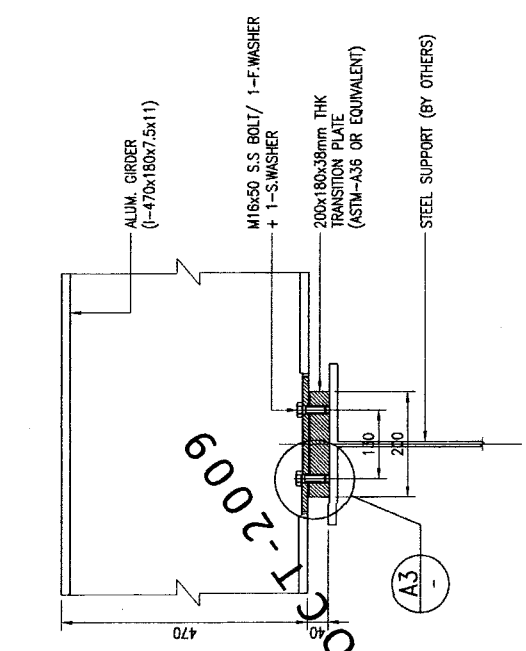
TRANSITION PLATE LAYOUT  
 SCALE 1: 100



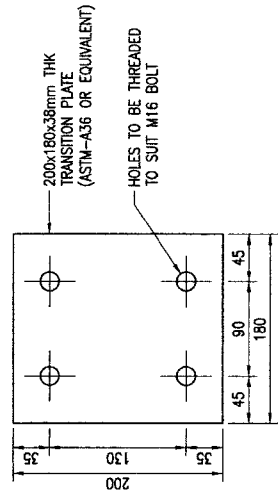
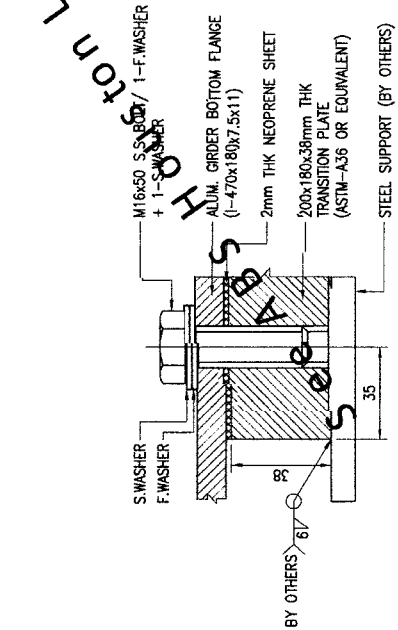
**A TYP. STEEL BEAM TO ALUM. GIRDER CONNECTION DETAIL**  
SCALE 1:10



**A2 SECTION**  
SCALE 1:10



**A3 SECTION**  
SCALE 1:10



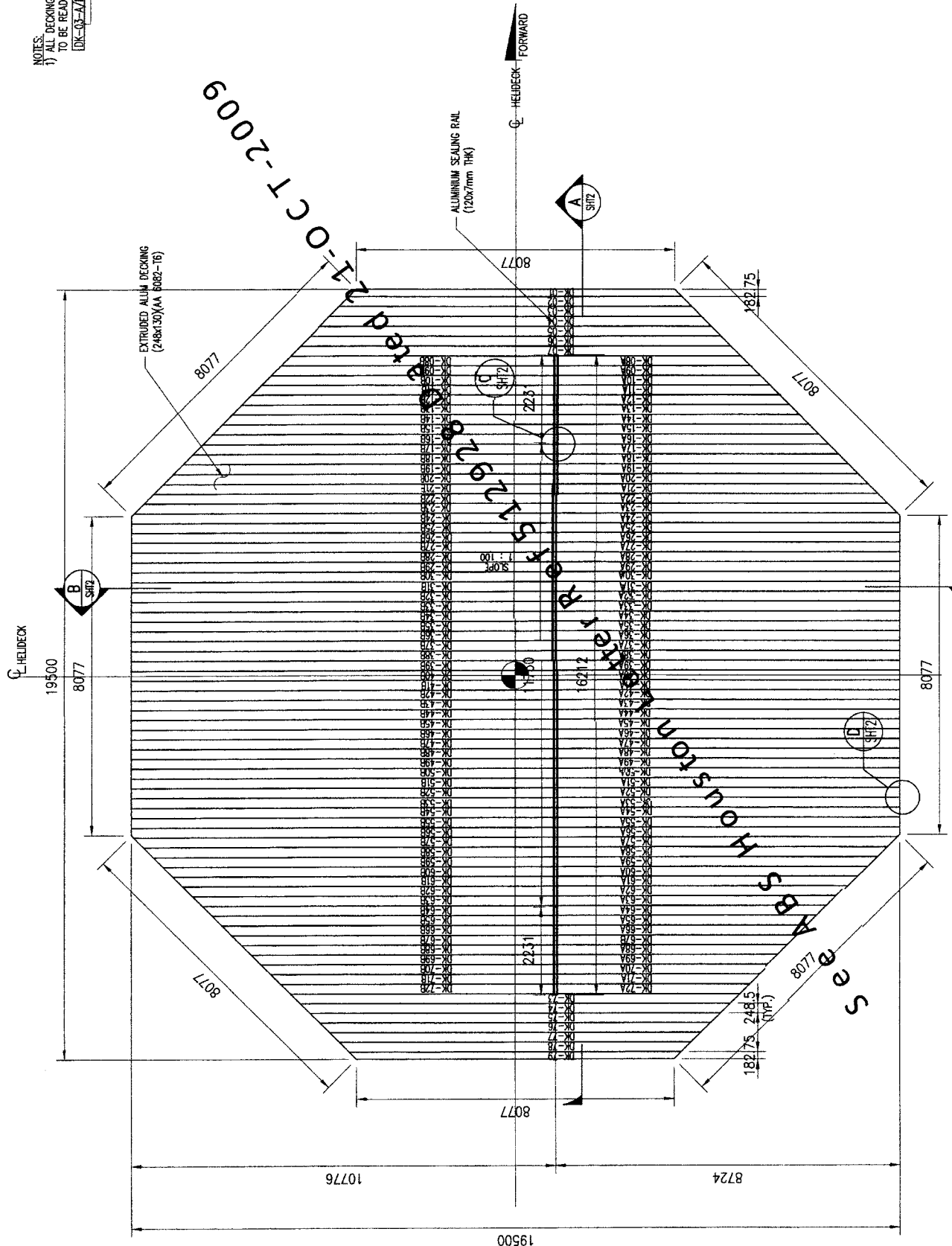
**TRANSITION PLATE DETAIL**  
SCALE 1:5

NOTE:  
1.0 ALL ALUM. GIRDERS SHALL BE AA 6062-T6 UNLESS SPECIFIED  
2.0 ALL BOLTS SHALL BE SS316 UNLESS SPECIFIED

FOR APPROVAL

ISSUED FOR CLIENT'S APPROVAL	C.B. 24.08.09
AMENDMENTS	INITIAL DATE
THIS DRAWING AND THE INFORMATION IT CONTAINS ARE THE PROPERTY OF THE COMPANY AND ARE NOT TO BE REPRODUCED OR USED IN PART OR IN WHOLE FOR ANY PURPOSE EXCEPT BY THE CLIENT.	
CUSTOMER	
PROJECT NAME 19.5M DIAMETER OCTAGONAL ASTERISK PHARMACY SAFETY ALUMINIUM HELDECK	
DESCRIPTION TRANSITION PLATE LAYOUT & DETAILS	
JOB NO.	SCALE
NAME	DATE
DESIGNED C.B.	12.05.09
DRAWN C.B.	12.05.09
CHECKED Y.Y.	12.05.09
REV. 0	AS SHOWN (A)
REV. 0	REV. 0
SHEET/SHEETS 2 OF 2	

NOTES:  
 1) ALL DECKING PIECE MARKS TO BE READ AS FOLLOWS:  
 (A)-(B)-(C)-(D) - DENOTES DECKING PIECE MARK NO.



FOR APPROVAL

REV	ISSUED FOR CLIENT'S APPROVAL	C.S.	DATE
0			

AMENDMENTS

INITIAL	DATE

NOTICE: THE DRAWING AND THE INFORMATION IT CONTAINS ARE TO BE REPRODUCED OR USED IN WHOLE OR IN PART WITHOUT THE WRITTEN PERMISSION OF THE PROJECT ARCHITECT.

CUSTOMER

PROJECT NAME  
 19.5M DIAMETER OCTAGONAL ASTROCAT FINANCIAL SAFETY  
 ALUMINUM HEUDECK

DESCRIPTION

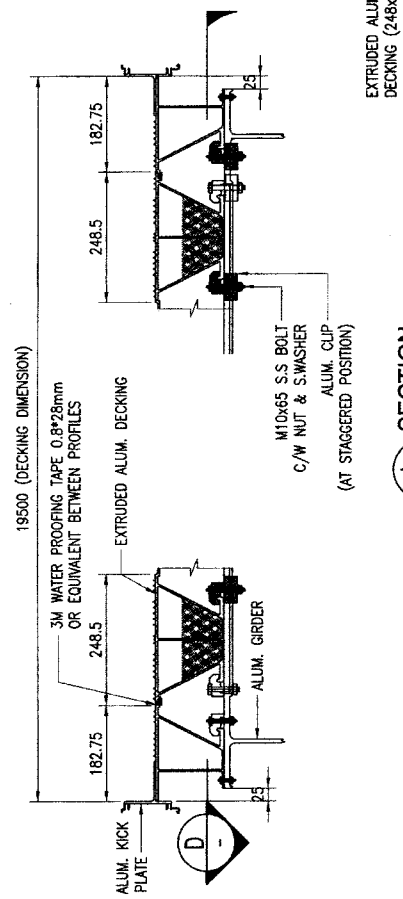
ALUM DECKING LAYOUT & DETAILS

JOB NO.	SCALE	PROJECT NO.
	1:100	

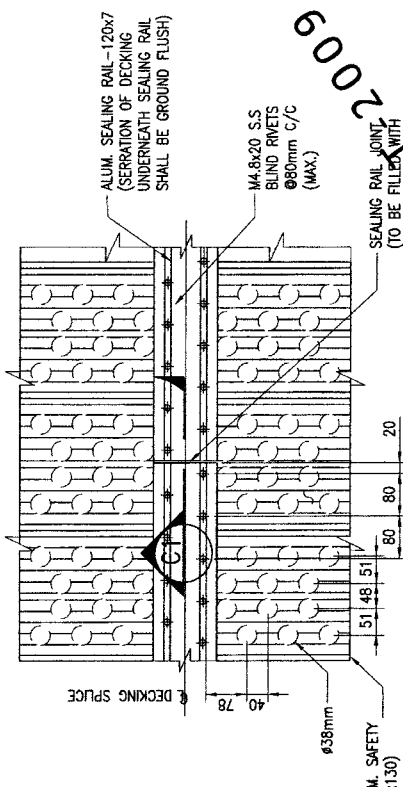
DATE	DESIGNED	CHECKED
12.06.09	C.B.	C.B.

DATE	REV.	SHEET/SHEETS
12.06.09	0	1 OF 2

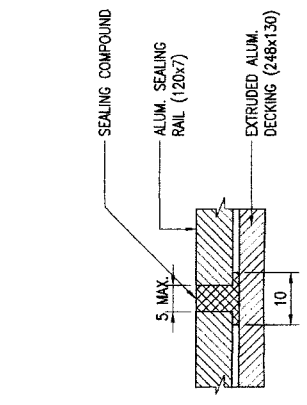
ALUM DECKING LAYOUT  
 SCALE 1:100



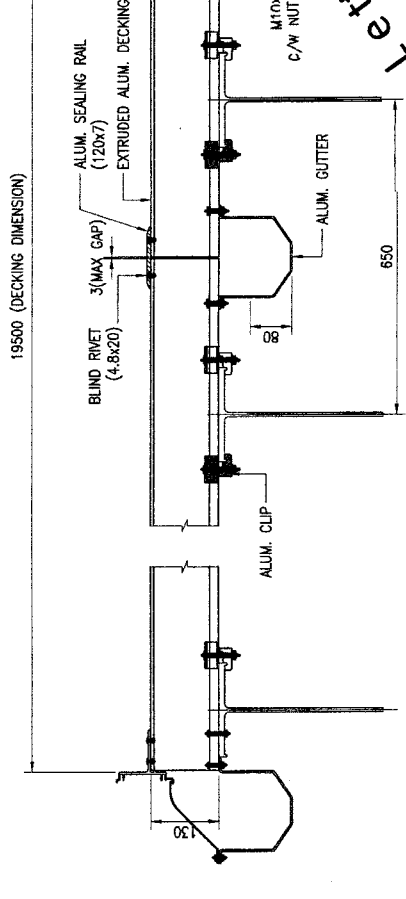
**A SECTION**  
SHT 1 SCALE 1: 10



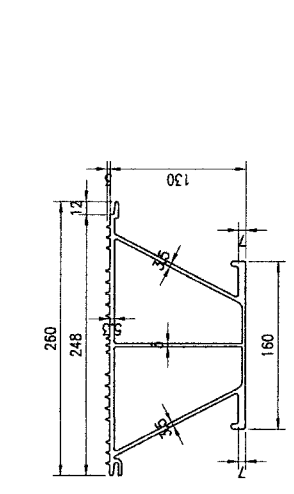
**C TYP. PERFORATED HOLE DETAIL**  
SHT 1 SCALE 1: 10



**C1 SECTION**  
SCALE 1: 1

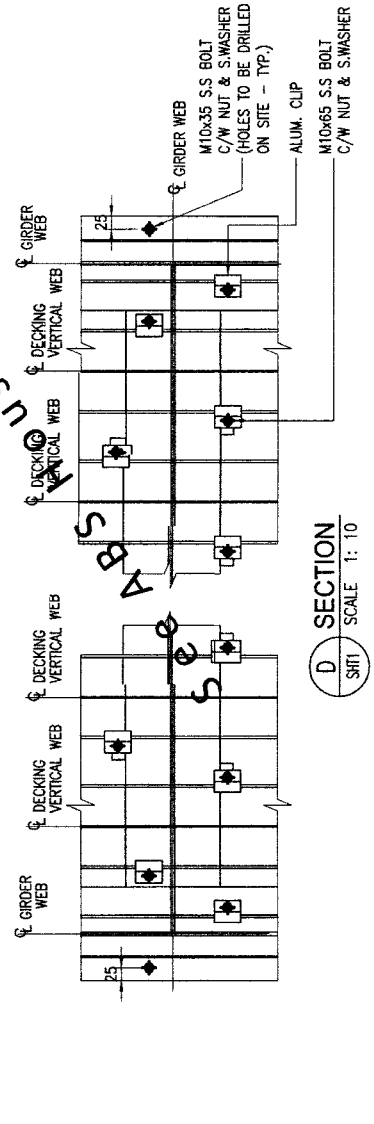


**B SECTION**  
SHT 1 SCALE 1: 10

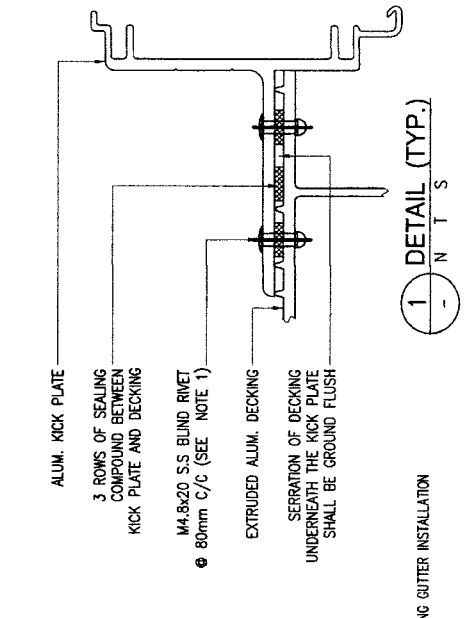


**DECKING PROFILE**  
SCALE 1: 10

**FOR APPROVAL**



**D SECTION**  
SHT 1 SCALE 1: 10



**1 DETAIL (TYP.)**  
SCALE 1: 1

NOTE:  
1. ALL HOLES FOR RIVETS TO BE DRILLED ON SITE DURING GUTTER INSTALLATION

REV.	DESCRIPTION	DATE	INITIALS
0	ISSUED FOR CLIENT'S APPROVAL	24.09.09	

NO.	DATE	SCALE	AS SHOWN	CAD FILE NO.
DESIGNED	G.B.	12.05.09	(A3)	
DRAWN	G.B.	12.05.09	(A3)	
CHECKED	T.Y.T.	12.05.09		

PROJECT NAME	SCALE	DATE	REV.
19.5M DIAMETER OCTAGONAL SAFETY ALUMINUM HELDECK			0

DESCRIPTION	SCALE	DATE	REV.
ALUM. DECKING LAYOUT & DETAILS			0

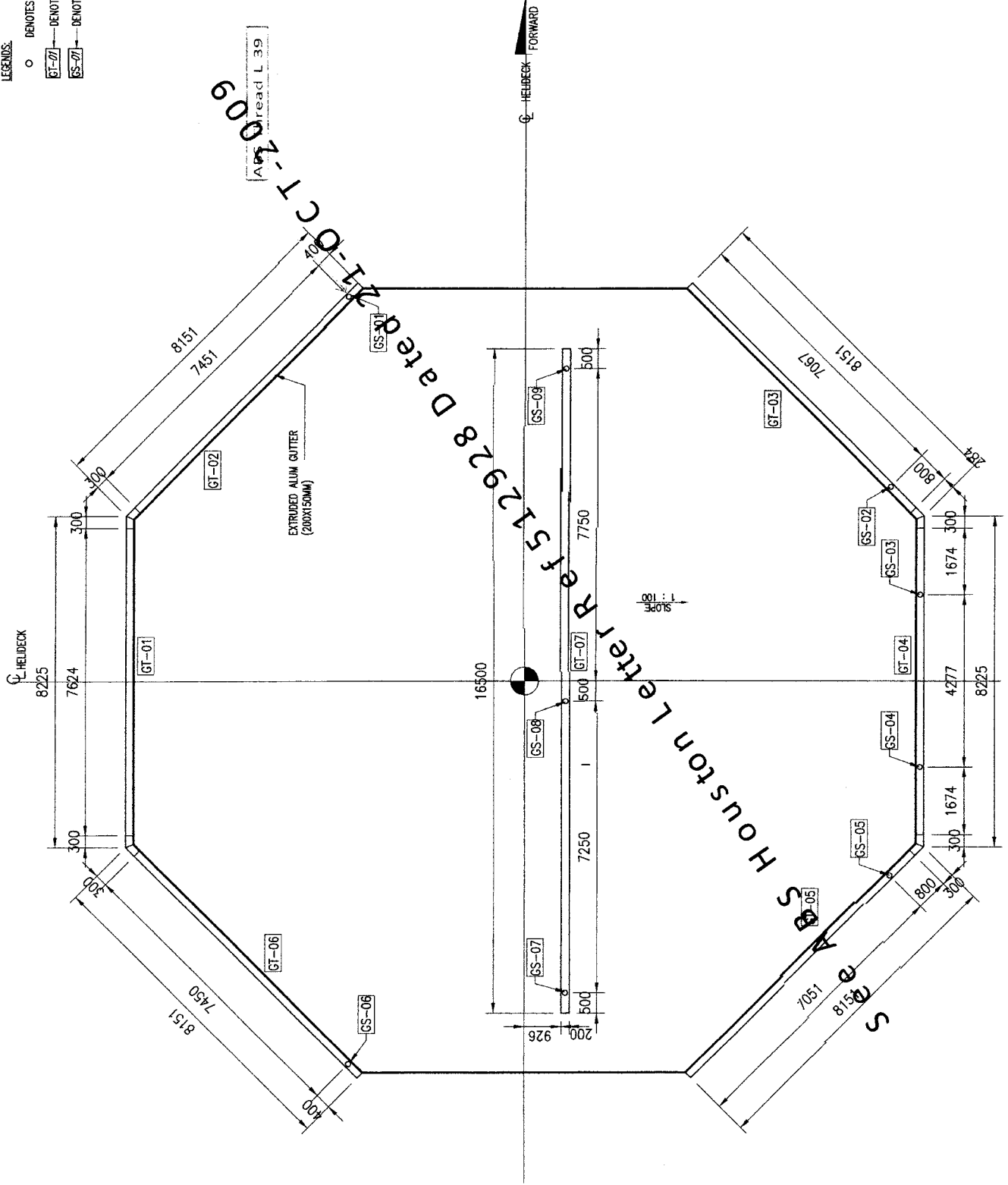


**LEGENDS:**

○ DENOTES LOCATION OF GUTTER DOWN CORNER (8 LOCATIONS)

GT-01 DENOTES GUTTER PIECE MARK

GS-01 DENOTES GUTTER SCUPPER PIECE MARK



FOR APPROVAL

REV.	ISSUED FOR CLIENT'S APPROVAL	C.B.	DATE
0			
AMENDMENTS			
REV.	AMENDMENTS	INITIAL	DATE

NOTICE: THIS DRAWING AND THE INFORMATION IT CONTAINS ARE THE PROPERTY OF THE DRAWING CONTRACTOR AND SHALL BE REPRODUCED OR USED IN WHOLE OR IN PART FOR ANY PURPOSE EXCEPT BY WRITTEN PERMISSION.

CUSTOMER: \_\_\_\_\_

PROJECT NAME: \_\_\_\_\_

DESCRIPTION: 19.5M DIAMETER OCTAGONAL ASTEC® FINISHED SAFETY ALUMINUM HELDECK

GUTTER LAYOUT & DETAILS

JOB NO.	SCALE	FORMING NO.
DESIGNED G.B. 12.00.09 <td>1:100 <td></td> </td>	1:100 <td></td>	
DRAWN G.B. 12.00.09	(A)	
CHECKED Y.Y. 12.00.09		

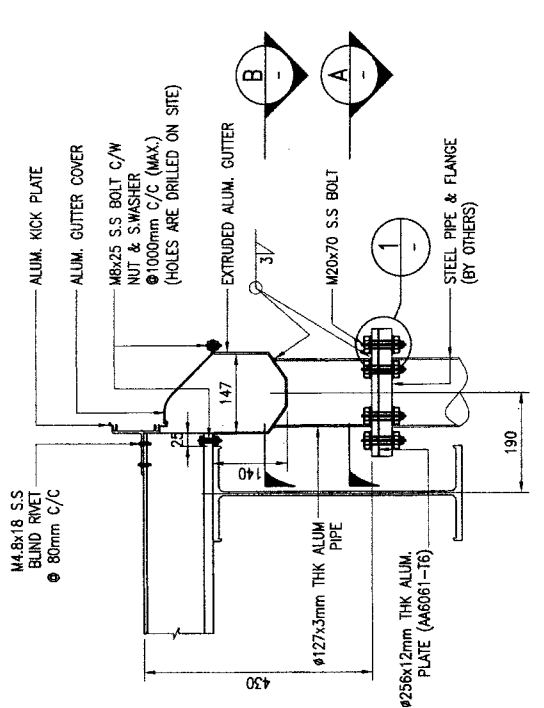
DATE: 12.00.09

REVISIONS:

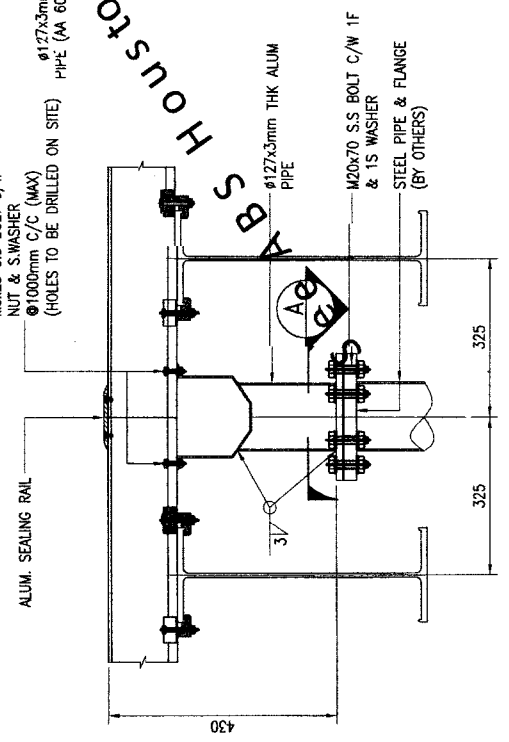
NO.	DESCRIPTION	DATE
0		

1 OF 2 SHEET/SHEETS

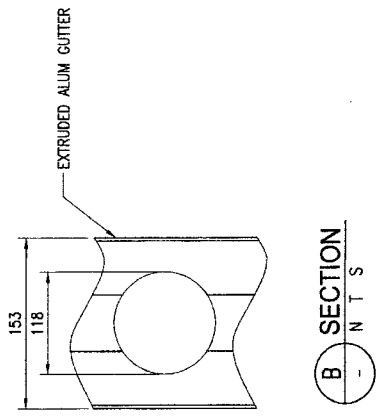
UNLESS OTHERWISE STATED ALL DIMENSIONS ARE IN MM



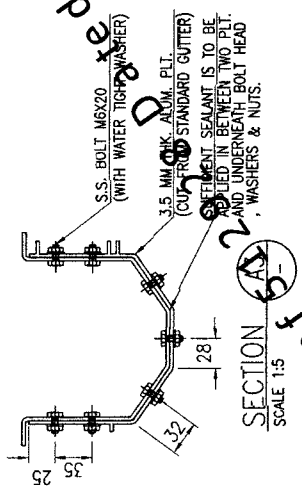
**TYP. PERIMETER GUTTER SCUPPER DETAIL**  
 NOTE: TO PROVIDE 2mm THK NEOPRENE SHEET BETWEEN ALUM AND STEEL FLANGE



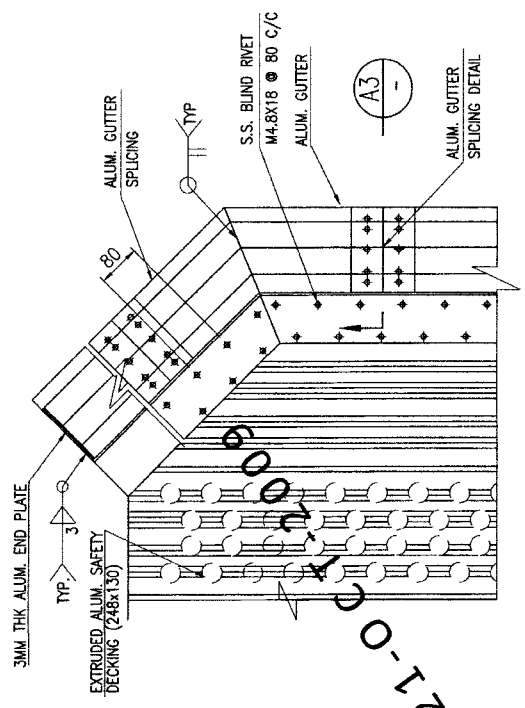
**TYP. CENTER GUTTER SCUPPER DETAIL**



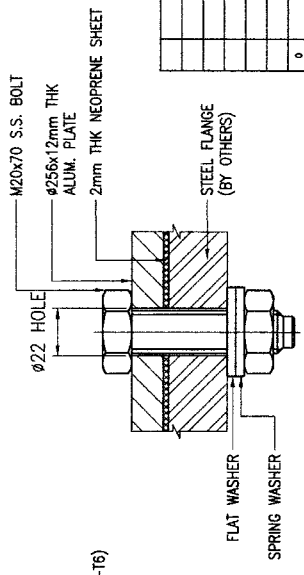
**B SECTION**  
 N T S



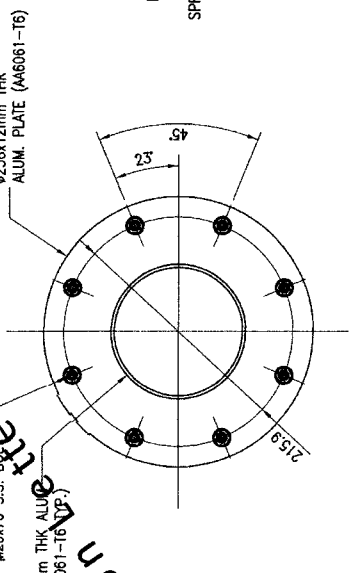
**A SECTION**  
 SCALE 1:5  
 N T S



**GUTTER CONNECTION**



**1 TYPICAL DETAIL**  
 N T S



**A SECTION**  
 N T S

**FOR APPROVAL**

REV	REVISIONS	ISSUED FOR CLIENT'S APPROVAL	C.S.	24.06.09	REVAL DATE
0					

**NOTICE**  
 THIS DRAWING AND ANY INFORMATION CONTAINED HEREIN IS THE PROPERTY OF ALUMINUM HELDECK PVT. LTD. AND MUST NOT BE REPRODUCED OR USED IN PART OR IN WHOLE FOR ANY PURPOSES WITHOUT THE WRITTEN PERMISSION.

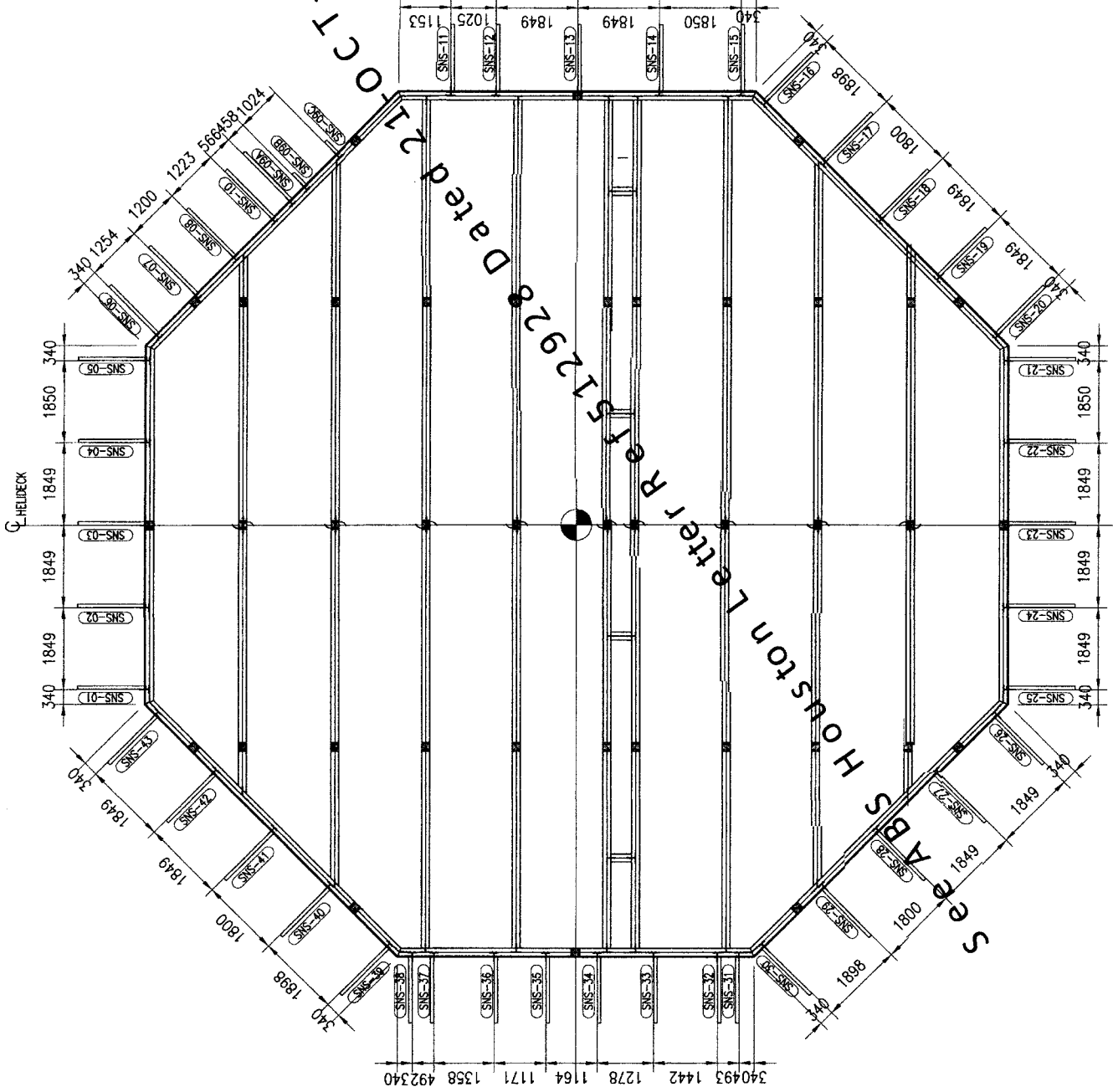
**PROJECT NAME**  
 19.5M DIAMETER OCTAGONAL STIFFENED ALUMINUM HELDECK

**DESCRIPTION**  
 GUTTER LAYOUT & DETAILS

JOB NO.	SCALE	DATE	DATE	DATE	DATE
	1:100	12.05.09	12.05.09	12.05.09	12.05.09

**SHEET/FILES**  
 2 OF 1

- NOTES:**
1. ALL HOLES FOR RIVETS TO BE DRILLED ON SITE DURING GUTTER INSTALLATION
  2. SERRATION OF DECKINGS UNDERNEATH THE CONTACT SURFACES WITH THE GUTTERS FLANGES SHALL BE GROUND SMOOTH



Safety Net Support System  
Houston Letter Ref # 1512928 Dated 2/10/09

NOTES:

- 1. ALL SAFETY NET SUPPORT (NS) SHALL BE ALUMINUM C 152.4X76.2X6X8 (AA 6061-T6) UNLESS OTHERWISE SPECIFIED.
- 2. ALL SAFETY NET SUPPORT PIECE MARKS TO BE READ AS FOLLOWS: SNS-01 DEVOTES PIECE MARK
- 1. ALL SAFETY NET SUPPORT/FRAME SHARP EDGES ESPECIALLY ALONG ACCESS WILL BE GRINDED SMOOTHLY.

FOR APPROVAL

FOR APPROVAL

REV.	DATE	ISSUED FOR CLIENT'S APPROVAL	C.B.	DATE	INITIALS
0			24.06.09		

NOTICE: THIS DRAWING IS THE PROPERTY OF OCEANICUM ARTIFEX PHARMACEUTICALS. IT IS TO BE USED ONLY FOR THE PROJECT AND NOT BE REPRODUCED OR USED IN ANY MANNER WITHOUT THE WRITTEN PERMISSION OF OCEANICUM ARTIFEX PHARMACEUTICALS.

CLIENT: [ ]

PROJECT NAME: 19.5MM DIAMETER OCTAGONAL SAFETY ALUMINUM HELI-DECK

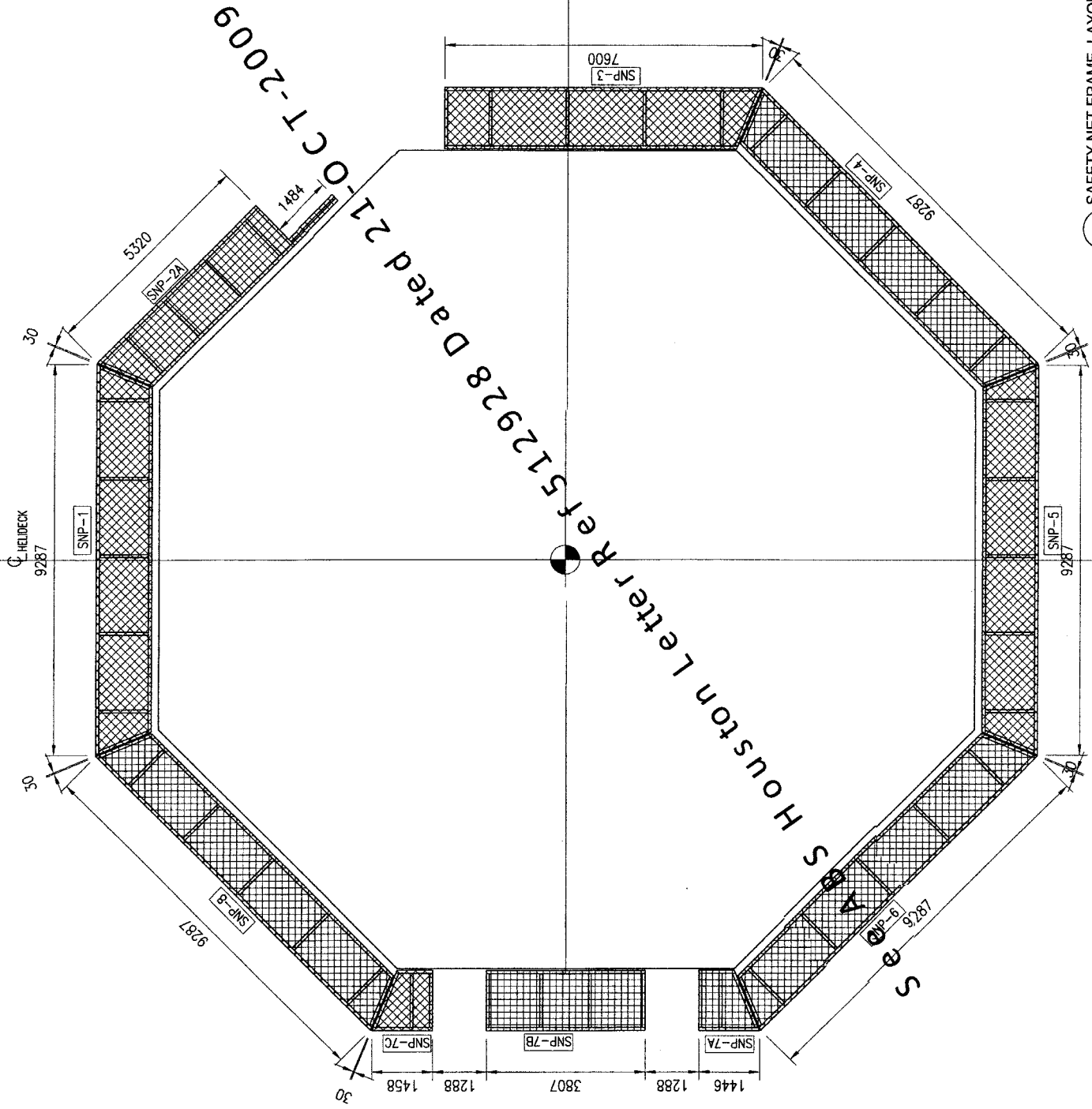
DESCRIPTION: SAFETY NET SUPPORT LAYOUT

JOB NO.	DATE	SCALE	PROJECT NO.
DESIGNED	12.06.09	1:100	210CT-2009
DRAWN	C.B.	(A)	REV
CHECKED	Y.Y.	0	SHEET/SHEETS
			1 OF 3

SAFETY NET SUPPORT LAYOUT  
SCALE 1:100

NOTES:  
 1. ALL SAFETY NET FRAMES ARE ALUMINUM AA 6061-T6 UNLESS OTHERWISE SPECIFIED.  
 2. ALUM SPACER PIPE SHALL BE PROVIDED IN BETWEEN EVERY SAFETY NET PANEL. SEE DETAIL 'D' IN SHT 3/3.

LEGENDS:  
 DENOTES ALUM. ORDER  
 DENOTES SAFETY NET  
 DENOTES SAFETY NET PANEL PIECE MARK



FOR APPROVAL

REV.	ISSUED FOR CLIENT'S APPROVAL	C.B.	DRAWING	INITIAL	DATE
0					

NOTICE: THIS DRAWING AND THE INFORMATION IT CONTAINS ARE THE PROPERTY OF THE COMPANY AND SHALL BE REPRODUCED OR USED IN ANY MANNER FOR ANY PURPOSE EXCEPT BY WRITTEN PERMISSION.

CUSTOMER: \_\_\_\_\_

PROJECT NAME: 19.5M DIAMETER OCTAGONAL ASTRO-TRIM SAFETY ALUMINUM HELIDECK

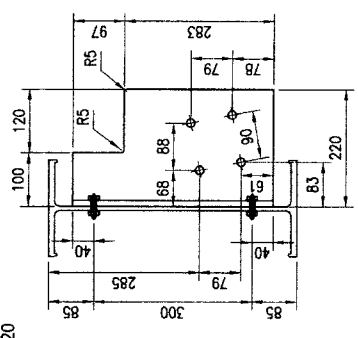
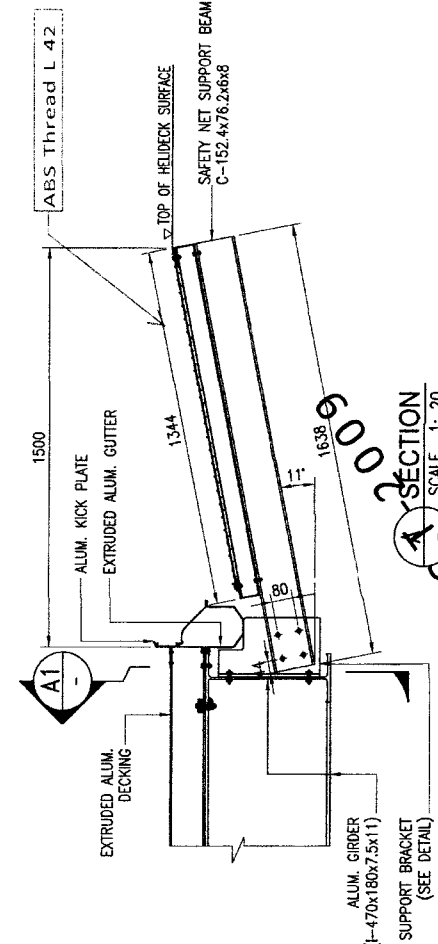
DESCRIPTION: SAFETY NET FRAME LAYOUT

JOB NO.	SCALE	DATE	DATE	SCALE

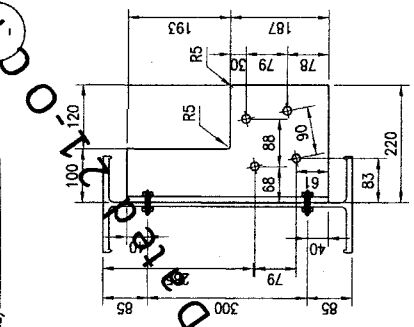
DATE	BY	SCALE
12.05.09		
12.05.09		
12.05.09		

UNLESS OTHERWISE STATED, ALL DIMENSIONS ARE IN MM.

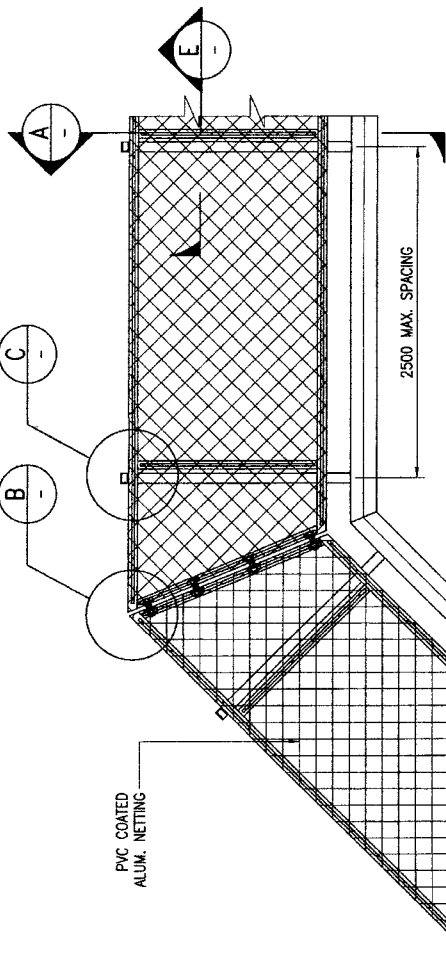
SAFETY NET FRAME LAYOUT  
 SCALE 1:100



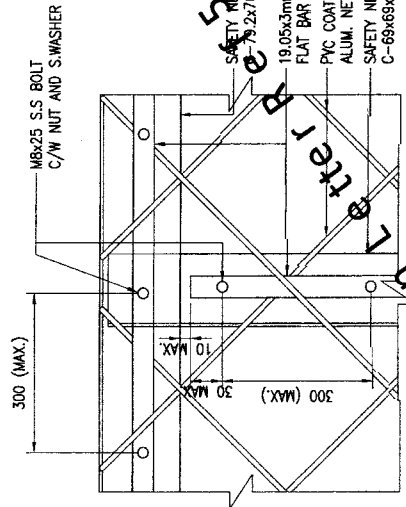
— SUPPORT BRACKET DETAIL  
SCALE 1: 10 ( @ GUTTER AREA)



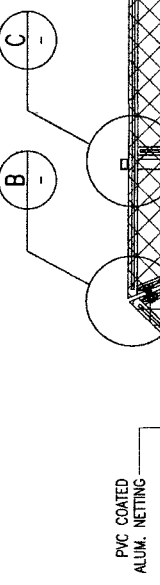
— SUPPORT BRACKET DETAIL  
SCALE 1: 10 ( @ NO GUTTER AREA)



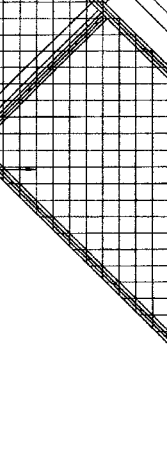
— TYP. SAFETY NET FRAME DETAIL



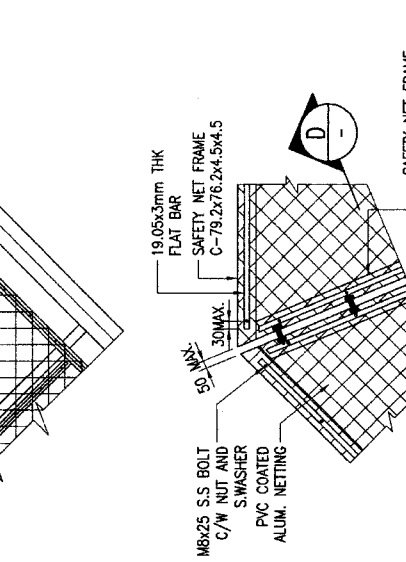
— DETAIL  
SCALE 1: 10



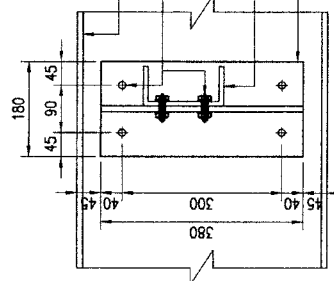
— DETAIL  
SCALE 1: 10



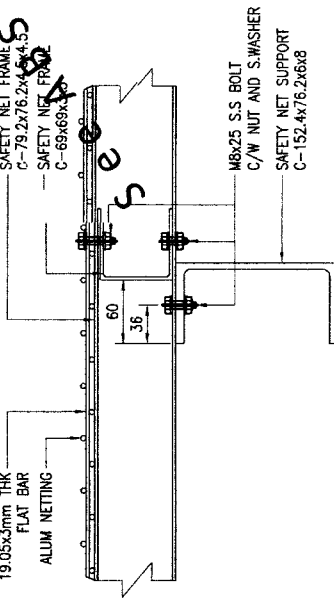
— DETAIL  
SCALE 1: 10



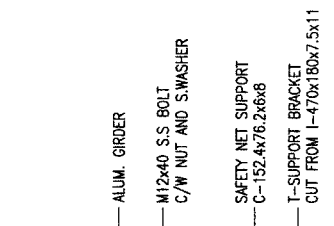
— DETAIL  
SCALE 1: 10



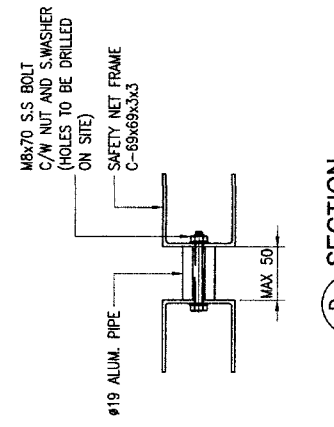
— SECTION A1  
SCALE 1: 10



— SECTION E  
SCALE 1: 5



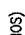
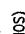

— SECTION A1  
SCALE 1: 10



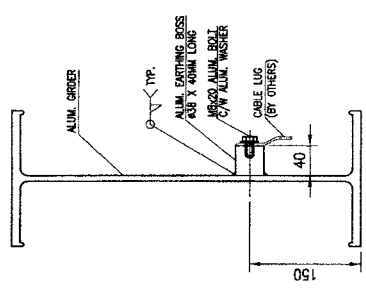
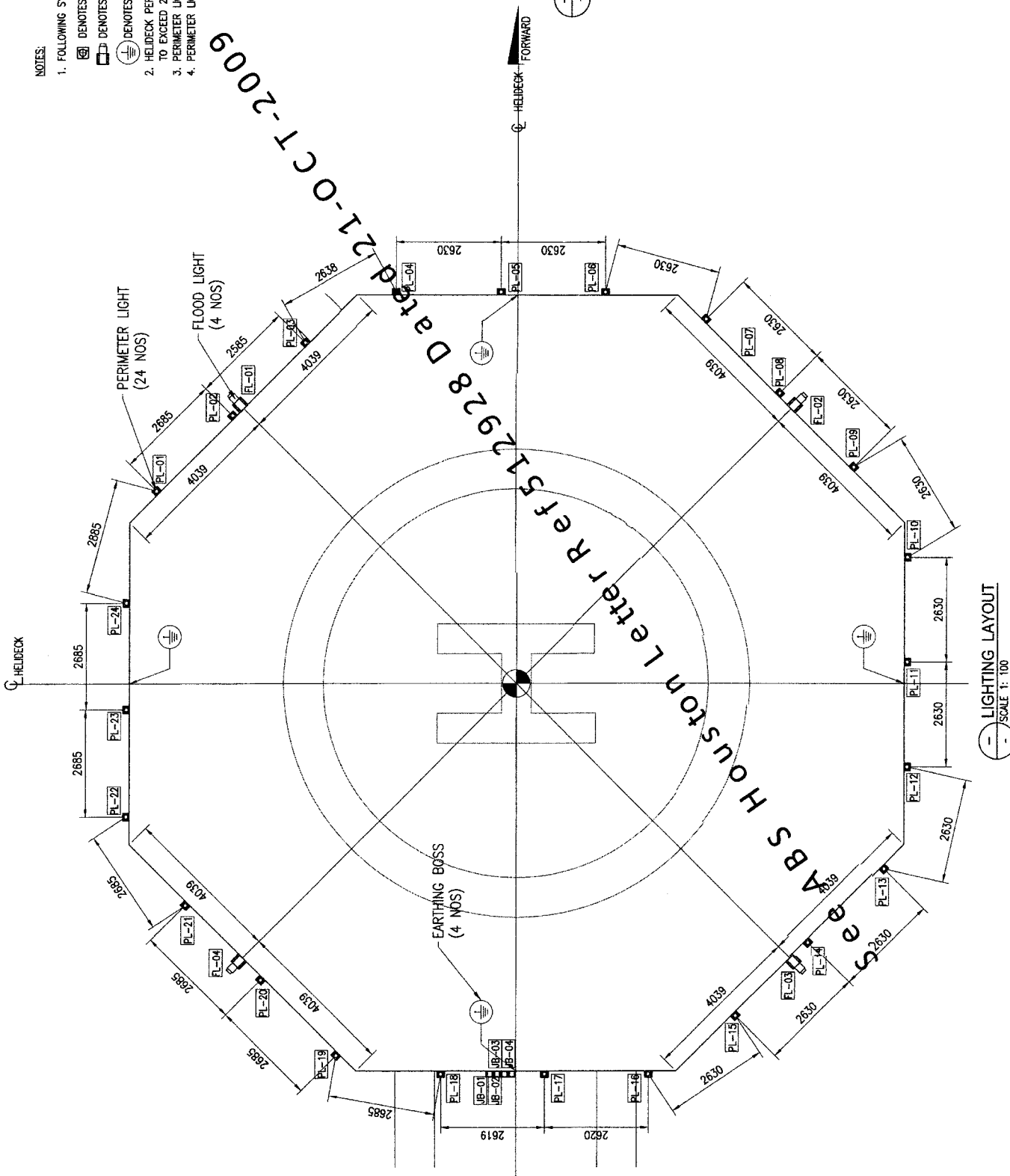
— SECTION D  
SCALE 1: 5

ISSUED FOR CLIENT'S APPROVAL	G.B.	24.08.08	DATE
REVISED	AMENDMENTS	INITIAL	DATE
NOTICE: THE DRAWING AND THE INFORMATION IT CONTAINS ARE THE PROPERTY OF ASTEC. IT IS TO BE USED ONLY FOR THE PROJECT AND NOT TO BE REPRODUCED OR USED IN ANY MANNER FOR ANY OTHER PROJECT WITHOUT THE WRITTEN PERMISSION OF ASTEC.			
CUSTOMER			
PROJECT NAME			
19.5M DIAMETER OCTAGONAL ASTEC® ENHANCED SAFETY ALUMINIUM HELDECK			
DESCRIPTION			
SAFETY NET DETAILS			
JOB NO.	SCALE	PROJECT NO.	DATE
DESIGNED	G.B.	12.05.08	12.05.08
DRAWN	G.B.	12.05.08	12.05.08
CHECKED	Y.T.	12.05.08	12.05.08
SHEET NO.		SHEET/SHEETS	
3 OF 3		3 OF 3	

**NOTES.**

1. FOLLOWING SYMBOLS ARE USED IN THE DRAWING:  
 DENOTES PERIMETER LIGHT. (24 NOS)  
 DENOTES FLOOD LIGHT. (4 NOS)  
 DENOTES EARTHING BOSS. (4 NOS)  
 2. HELIDECK PERIMETER & FLOODLIGHTS HEIGHT NOT TO EXCEED 250MM  
 3. PERIMETER LIGHTING INTERVALS NOT TO EXCEED 3M  
 4. PERIMETER LIGHTS - GREEN LIGHTS VISIBLE OMNIDIRECTIONALLY

ABS Houston Letter Ref 512928 Dated 21-01-2009

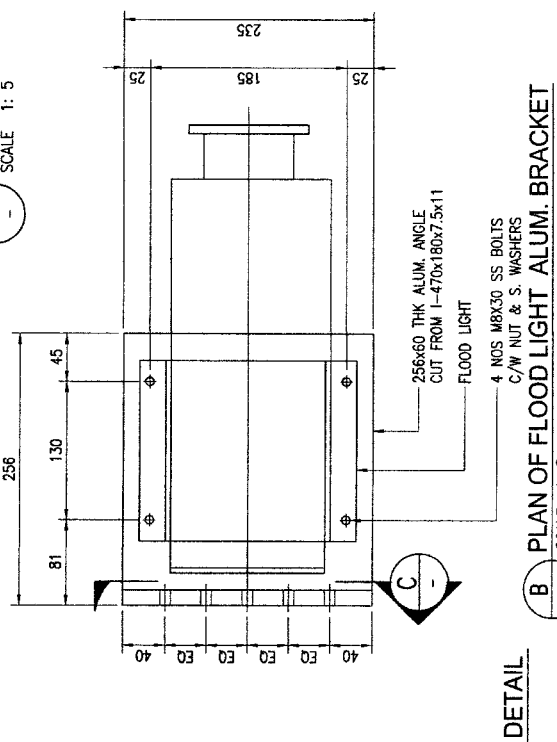
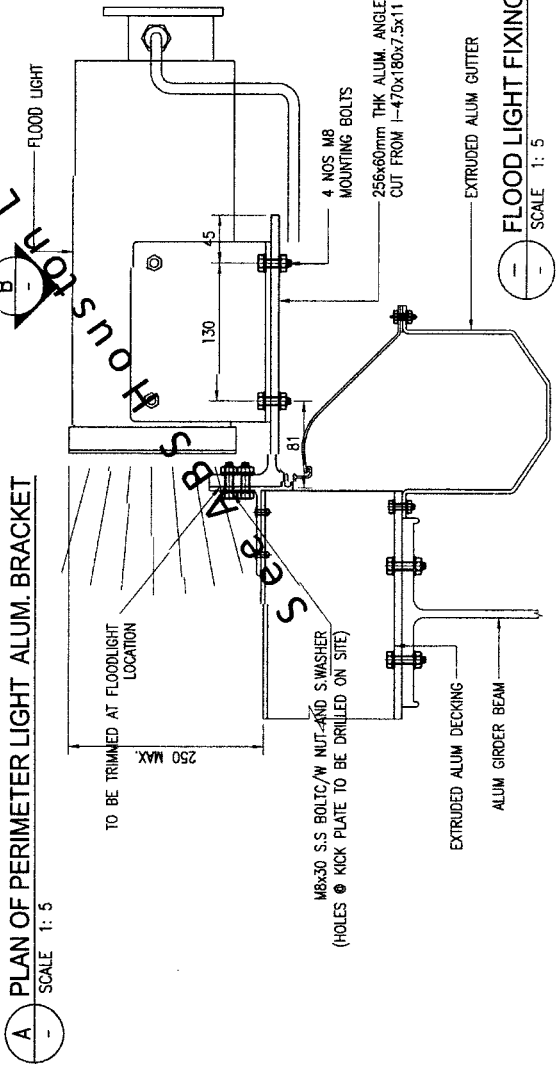
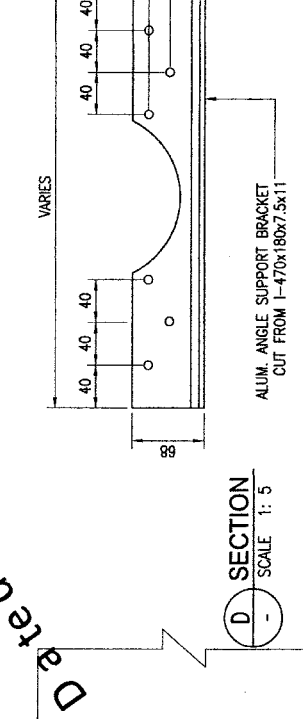
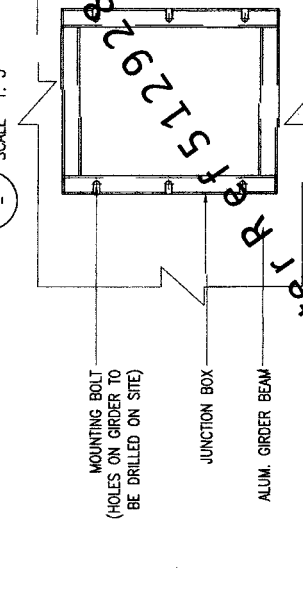
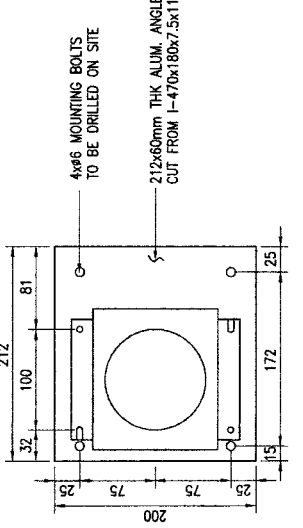
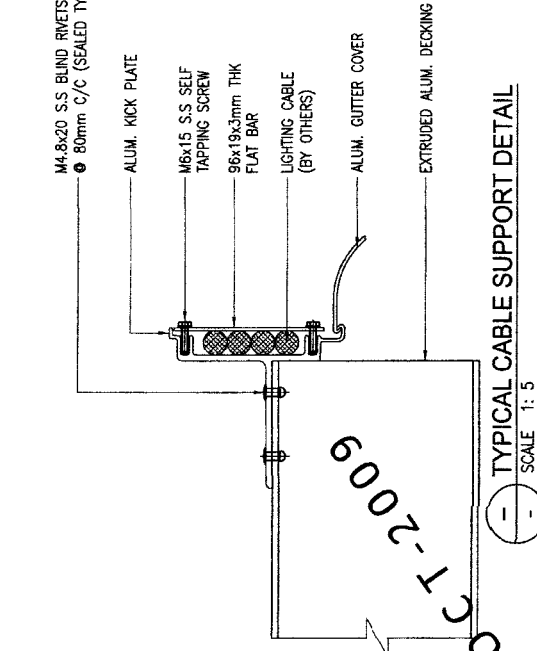
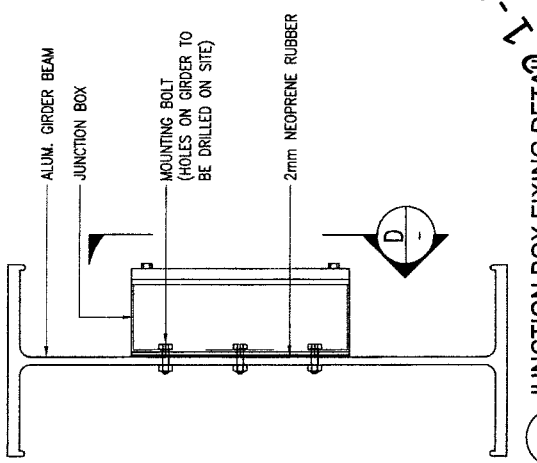
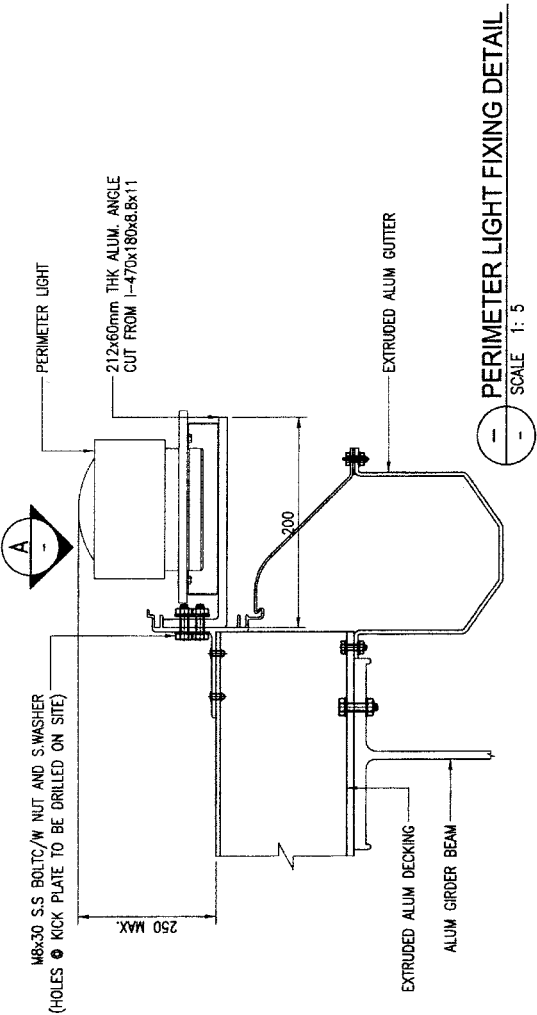


— TYP. EARTH BOSS ASSEMBLY  
 — N T S

FOR APPROVAL

REV.	0	ISSUED FOR CLIENT'S APPROVAL	G.B.	24.06.09	INITIAL	D/HE
NOTICE: THE DRAWING AND THE INFORMATION CONTAINED HEREIN ARE THE PROPERTY OF THE COMPANY AND ARE NOT TO BE REPRODUCED OR USED IN ANY MANNER OR FOR ANY PURPOSE EXCEPT BY THE COMPANY.						
AMENDMENTS:						
CUSTOMER:						
PROJECT NAME: 19.5M DIAMETER OCTAGONAL ASTHY® PERIMETER SAFETY ALUMINIUM HELIDECK						
DESCRIPTION:						
JOB NO.	SCALE	DRAWN BY	DATE	DATE	FILE NO.	NO.
			12.05.09	11.09	(A)	0
CHECKED BY			12.05.09			1 OF 3

— LIGHTING LAYOUT  
 SCALE 1: 100

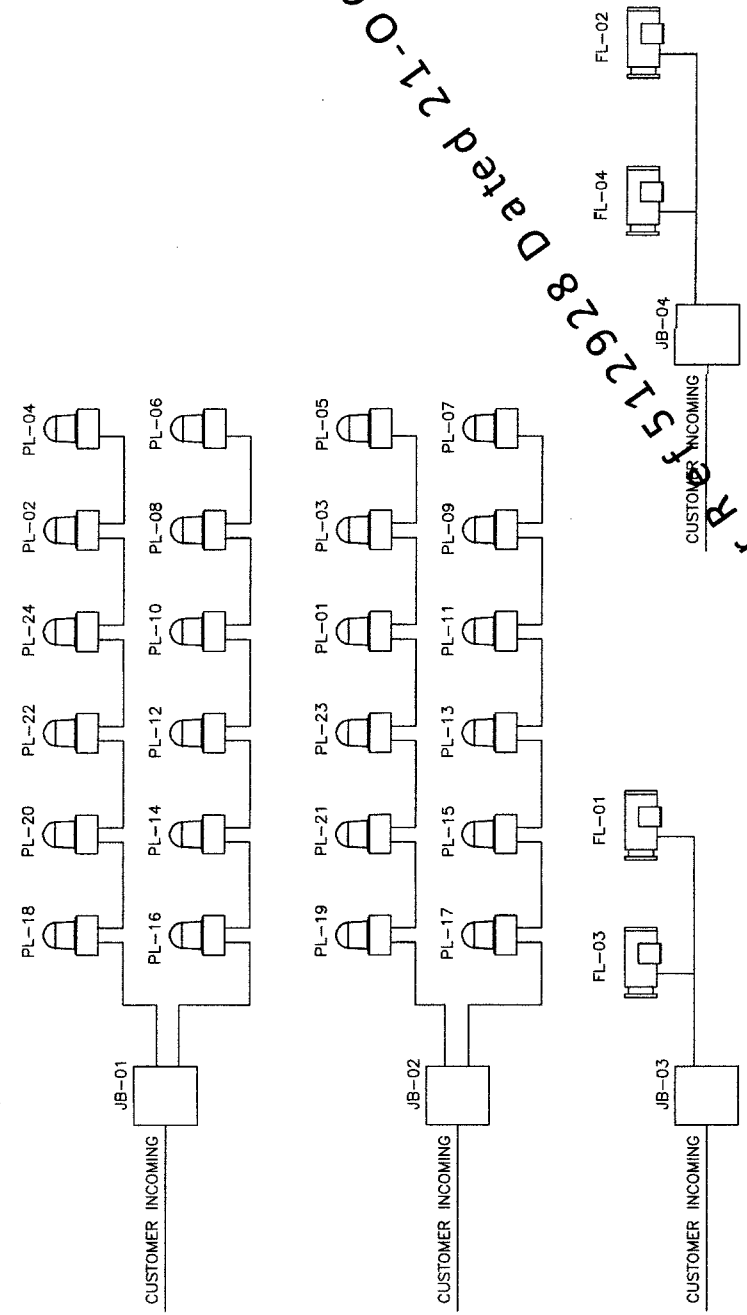


USED FOR CLIENT'S APPROVAL			DATE	INITIALS	DATE
REV.	AMENDMENTS	DATE			
NOTICE: THIS DRAWING AND THE INFORMATION IT CONTAINS ARE THE PROPERTY OF HOUSTON LETTERBOXES. IT IS TO BE REPRODUCED OR USED IN ANY MANNER WITHOUT THE WRITTEN PERMISSION OF HOUSTON LETTERBOXES.					
CUSTOMER: ...					
PROJECT NAME: ...					
18 MM DIAMETER OCTAGONAL ANTI-CYCLE FINANCIAL SAFETY ALUMINIUM HELDECK					
DESCRIPTION: ...					
LIGHTING LAYOUT & DETAILS					
JOB NO.	SCALE	TRAINING NO.			
DRAWN	DATE	CAD FILE NO.			
CHECKED	G.B. 12.05.08	JAS BROWN			
	G.B. 12.05.08	(M)			
	Y.Y. 12.05.08	REV. 0			2 OF 3
UNLESS OTHERWISE STATED ALL DIMENSIONS ARE IN MM					

FOR APPROVAL

Houston Letterbox 1512928 Data 1.0-CT-2009

Letter Ref: 512928 Dated 21-01-2009  
 Housatonic



TYPE	NOS.	PROTECTION	LIGHT SOURCE	POWER CONSUMPTION	COLOURS	WEIGHT (KG)	OPERATING VOLTAGE	SUPPLIED BY
PERIMETER LIGHT (TEF 2440)	24	SAFE AREA IP 66/67	LED	40 WATT	GREEN	1.8	24 VDC	ALUMINIUM OFFSHORE PTE. LTD.
FLOOD LIGHT (TEF 9964)	4	SAFE AREA IP 66/67	LAMP XENON D2S 35 WATT	50 WATT	-	10	24 VDC	ALUMINIUM OFFSHORE PTE. LTD.
JUNCTION BOX	4	EExe IP 66/67	-	-	-	1.2	-	ALUMINIUM OFFSHORE PTE. LTD.
CABLE GLANDS	AS REQUIRED	EExe	ENTRY THREADS : M20 x 1.5	-	-	-	-	ALUMINIUM OFFSHORE PTE. LTD.
WINDSOCK	1	-	-	-	-	-	-	ALUMINIUM OFFSHORE PTE. LTD.

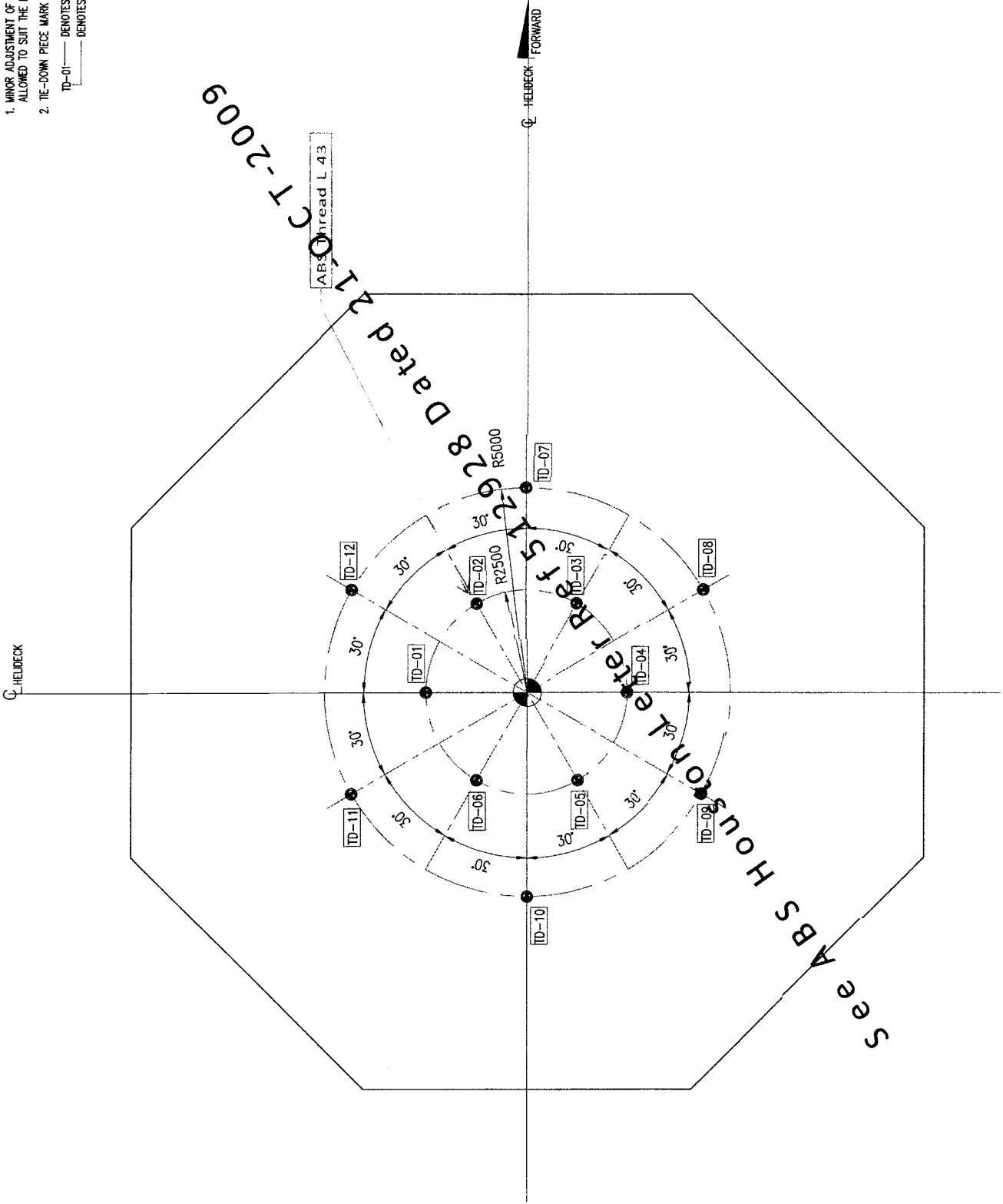
FOR APPROVAL

<table border="1" style="width: 100%; border-collapse: collapse;"> <tr> <th>REV.</th> <th>ISSUED FOR CLIENT'S APPROVAL</th> <th>G.B.</th> <th>INITIAL</th> <th>DATE</th> </tr> <tr> <td>0</td> <td></td> <td></td> <td></td> <td>24.08.09</td> </tr> </table> <p><b>NOTICE</b>          THIS DRAWING IS THE PROPERTY OF ALUMINIUM OFFSHORE PTE. LTD. AND IS NOT TO BE REPRODUCED OR USED IN PART OR IN WHOLE FOR ANY PURPOSE WITHOUT THE WRITTEN PERMISSION OF ALUMINIUM OFFSHORE PTE. LTD.</p>	REV.	ISSUED FOR CLIENT'S APPROVAL	G.B.	INITIAL	DATE	0				24.08.09	<table border="1" style="width: 100%; border-collapse: collapse;"> <tr> <td>SCALE</td> <td>DRAWING NO.</td> </tr> <tr> <td>1:10</td> <td></td> </tr> <tr> <td>CAD FILE NO.</td> <td></td> </tr> <tr> <td>DESIGNED</td> <td>DATE</td> </tr> <tr> <td>G.B.</td> <td>12.05.09</td> </tr> <tr> <td>DRAWN</td> <td>G.B.</td> </tr> <tr> <td>CHECKED</td> <td>Y.Y.</td> </tr> <tr> <td></td> <td>12.05.09</td> </tr> </table>	SCALE	DRAWING NO.	1:10		CAD FILE NO.		DESIGNED	DATE	G.B.	12.05.09	DRAWN	G.B.	CHECKED	Y.Y.		12.05.09
REV.	ISSUED FOR CLIENT'S APPROVAL	G.B.	INITIAL	DATE																							
0				24.08.09																							
SCALE	DRAWING NO.																										
1:10																											
CAD FILE NO.																											
DESIGNED	DATE																										
G.B.	12.05.09																										
DRAWN	G.B.																										
CHECKED	Y.Y.																										
	12.05.09																										
<p><b>CUSTOMER</b></p> <p>PROJECT NAME          19.5M DIAMETER OCTAGONAL ASTERISK FINISHED SAFETY ALUMINIUM HELDECK</p> <p>DESCRIPTION  <b>LIGHTING LAYOUT &amp; DETAILS</b></p>																											



**NOTES:**

1. MINOR ADJUSTMENT OF TIE-DOWN POSITION IS ALLOWED TO SUIT THE BOLTING POSITION;
2. TIE-DOWN PIECE MARK SHALL BE READ AS FOLLOW:  
 TD-01----- DENOTES PIECE MARK NO.  
 TD-01----- DENOTES TIE-DOWN PIECE MARK.



FOR APPROVAL

REV	ISSUED FOR CLIENT'S APPROVAL	CB	24.08.09	INITIAL	DATE
0					

MEASUREMENTS

NOTICE: THIS DRAWING AND THE INFORMATION IT CONTAINS ARE THE PROPERTY OF HELMUT LANG. IT IS TO BE USED ONLY FOR THE PROJECT AND NOT BE REPRODUCED OR USED IN PART OR IN WHOLE FOR ANY OTHER PROJECT WITHOUT PERMISSION.

CUSTOMER: \_\_\_\_\_

PROJECT NAME: 19.5M DIAMETER OCTAGONAL ASTRO® FINISHED SAFETY ALUMINUM HELDECK

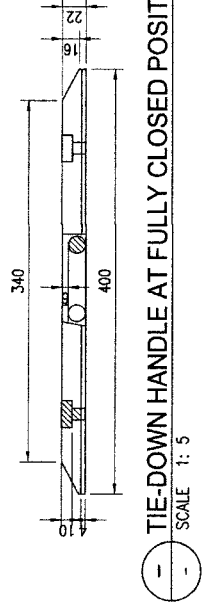
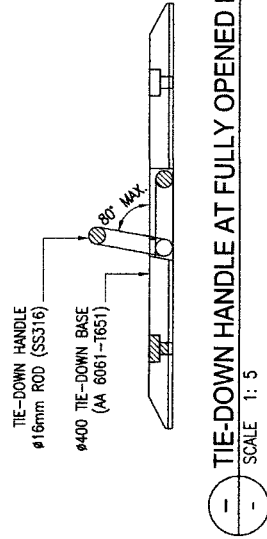
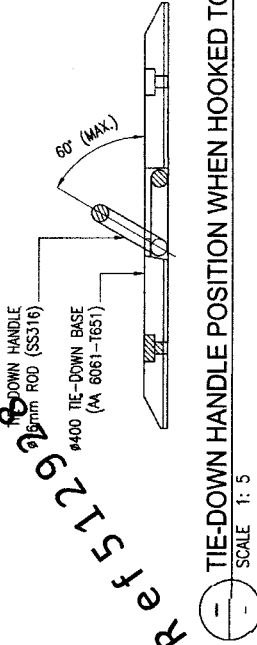
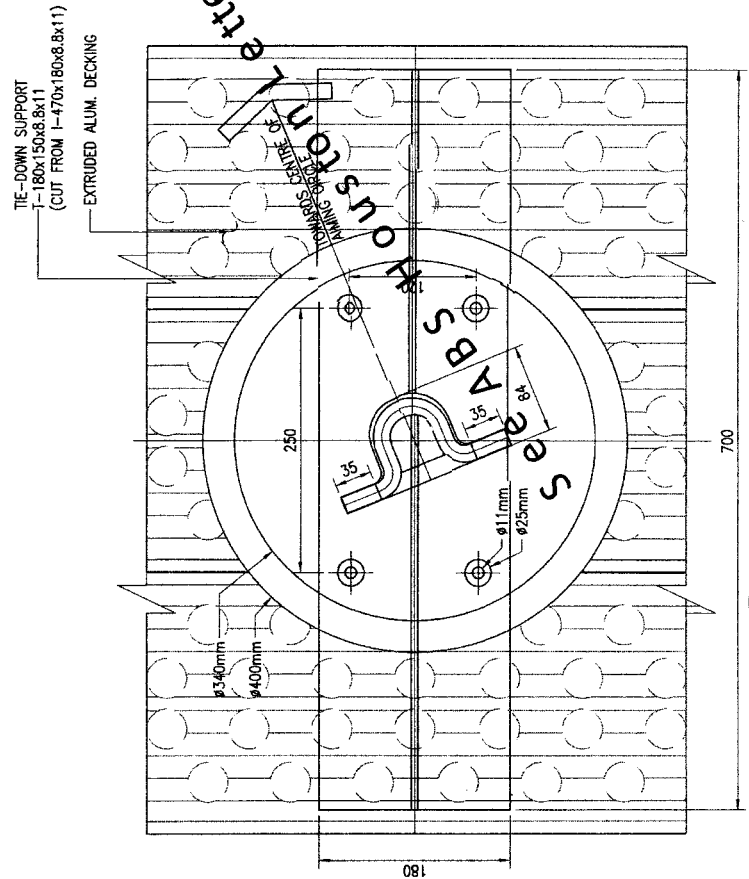
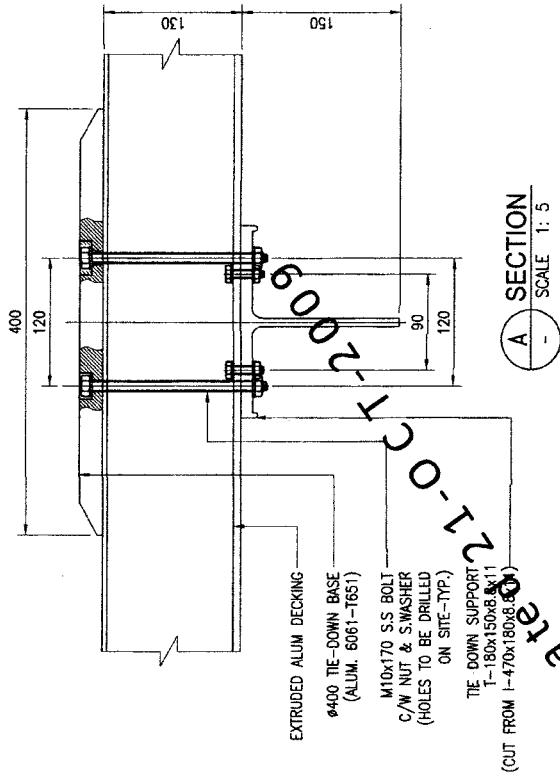
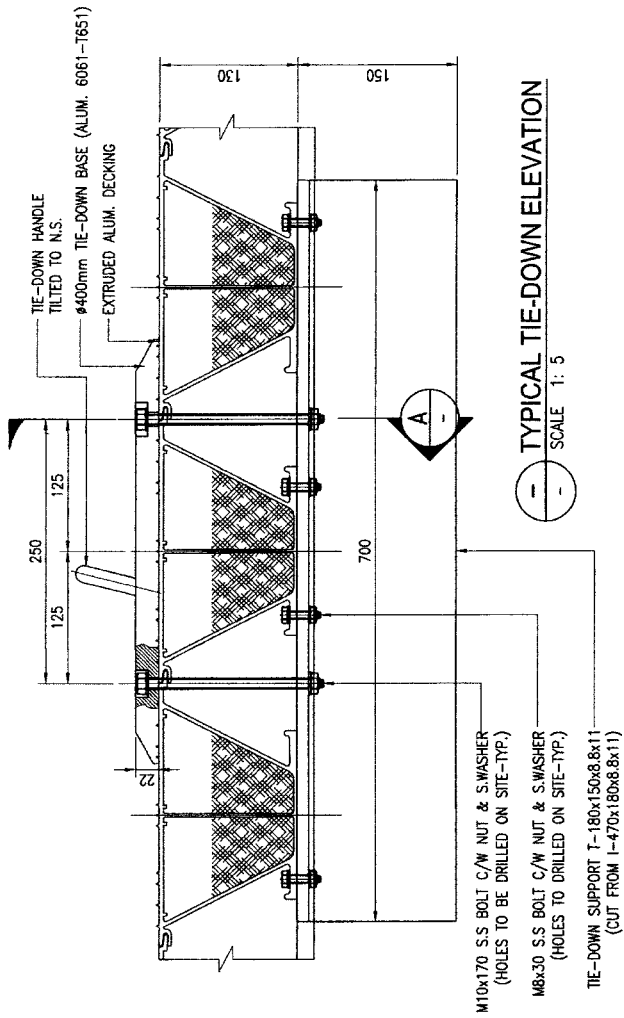
DESCRIPTION: TIE DOWN LAYOUT & DETAILS

JOB NO.	SCALE	PERFORMANT No.
1100	1:100	

NAME	DATE	CAD FILE NO.
G.B.	12.05.09	(N)

UNAWA	G.B.	12.05.09	REV.	SHEET/SHEETS
Y.Y.	12.05.09	0	1	2

TIE DOWN LAYOUT  
SCALE 1: 100



FOR APPROVAL

REV.	ISSUED FOR CLIENT'S APPROVAL	DATE	AMENDMENTS	INITIAL	DATE
0		12.08.09			

NOTICE: THIS DRAWING AND THE INFORMATION IT CONTAINS ARE THE PROPERTY OF THE COMPANY AND ARE NOT TO BE REPRODUCED OR USED IN ANY MANNER WITHOUT THE WRITTEN PERMISSION OF THE COMPANY.

PROJECT NAME: 18.5M DIAMETER OCTAGONAL ARTIFICIAL PLATFORM SAFETY ALUMINUM HELIDECK

DESCRIPTION: TIE-DOWN LAYOUT & DETAILS

JOB NO.	SCALE	DATE	AS SHOWN	DATE FILE NO.
DESIGNED	G.B.	12.08.09	(A)	
DRAWN	G.B.	12.08.09		
CHECKED	T.Y.	12.08.09		

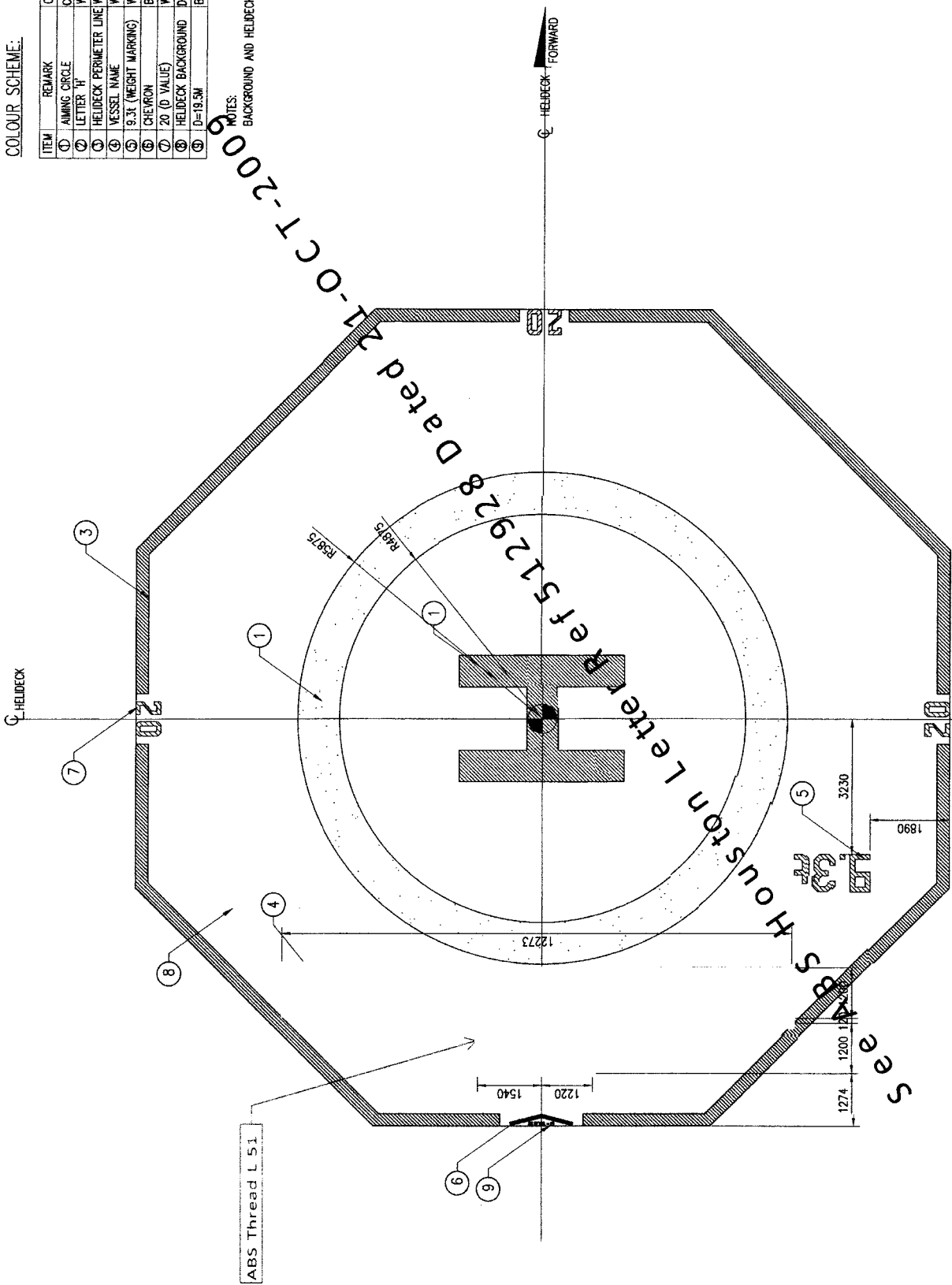
UNLESS OTHERWISE STATED, ALL DIMENSIONS ARE IN MM

COLOUR SCHEME:

ITEM	REMARK	COLOUR
①	AIMING CIRCLE	CANARY YELLOW BS 381C.309
②	LETTER 'H'	WHITE
③	HELIDECK PERIMETER LINE	WHITE
④	VESSEL NAME	WHITE
⑤	9.3t (WEIGHT MARKING)	WHITE
⑥	CHEVRON	BLACK
⑦	20 (D VALUE)	WHITE
⑧	HELIDECK BACKGROUND	DARK GREEN BS 381C.267
⑨	D=18.5t	BLACK

NOTES:  
BACKGROUND AND HELIDECK PAINTING BY OTHERS

21-0-CT-2009 Dated 21-0-CT-2009



FOR APPROVAL

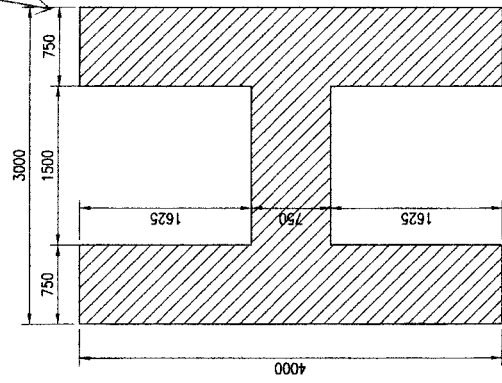
MARKING LAYOUT  
SCALE 1: 100

FOR APPROVAL

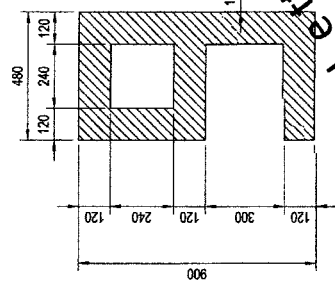
ISSUED FOR CLIENT'S APPROVAL	G.B. PALANIS
REV.	INITIAL
AMENDMENTS	DATE
NOTICE: THE DRAWING AND THE INFORMATION IT CONTAINS ARE THE PROPERTY OF PUNJACCTO SAFETY AND SHALL NOT BE REPRODUCED OR USED IN PART OR IN WHOLE FOR ANY PURPOSE EXCEPT BY WRITTEN PERMISSION.	
CUSTOMER	
PROJECT NAME	
10.5t DIAMETER OCTAGONAL HELIDECK PUNJACCTO SAFETY ALUMINIUM HELIDECK	
DESCRIPTION	
JOB NO.	SCALE
NAME	DATE
DESIGNED G.B.	12.05.09
DRAWN G.B.	12.05.09
CHECKED Y.Y.	12.05.09
REV.	0
MARKING LAYOUT & DETAILS	
SHEET/SHEETS	
1 / 2	

UNLESS OTHERWISE STATED ALL DIMENSIONS ARE IN MM

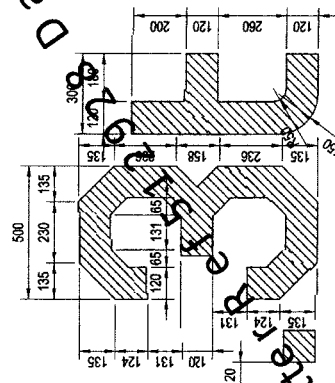
ABS Thread L 52



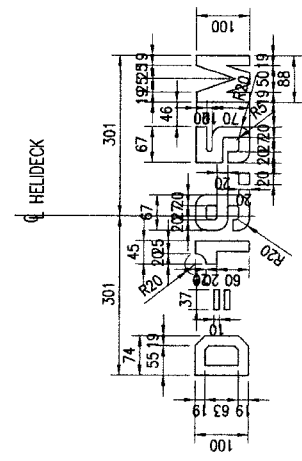
— 'H' MARKING DETAIL  
SCALE NTS



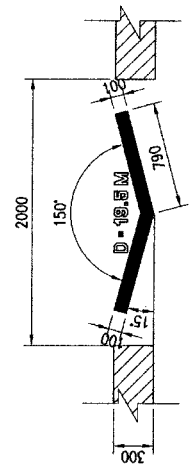
— '20' MARKING DETAIL  
SCALE NTS



— '19.5' MARKING DETAIL  
SCALE NTS



— D '19.5 M' MARKING DETAIL  
SCALE NTS



— CHEVRON MARKING DETAIL  
SCALE NTS

FOR APPROVAL

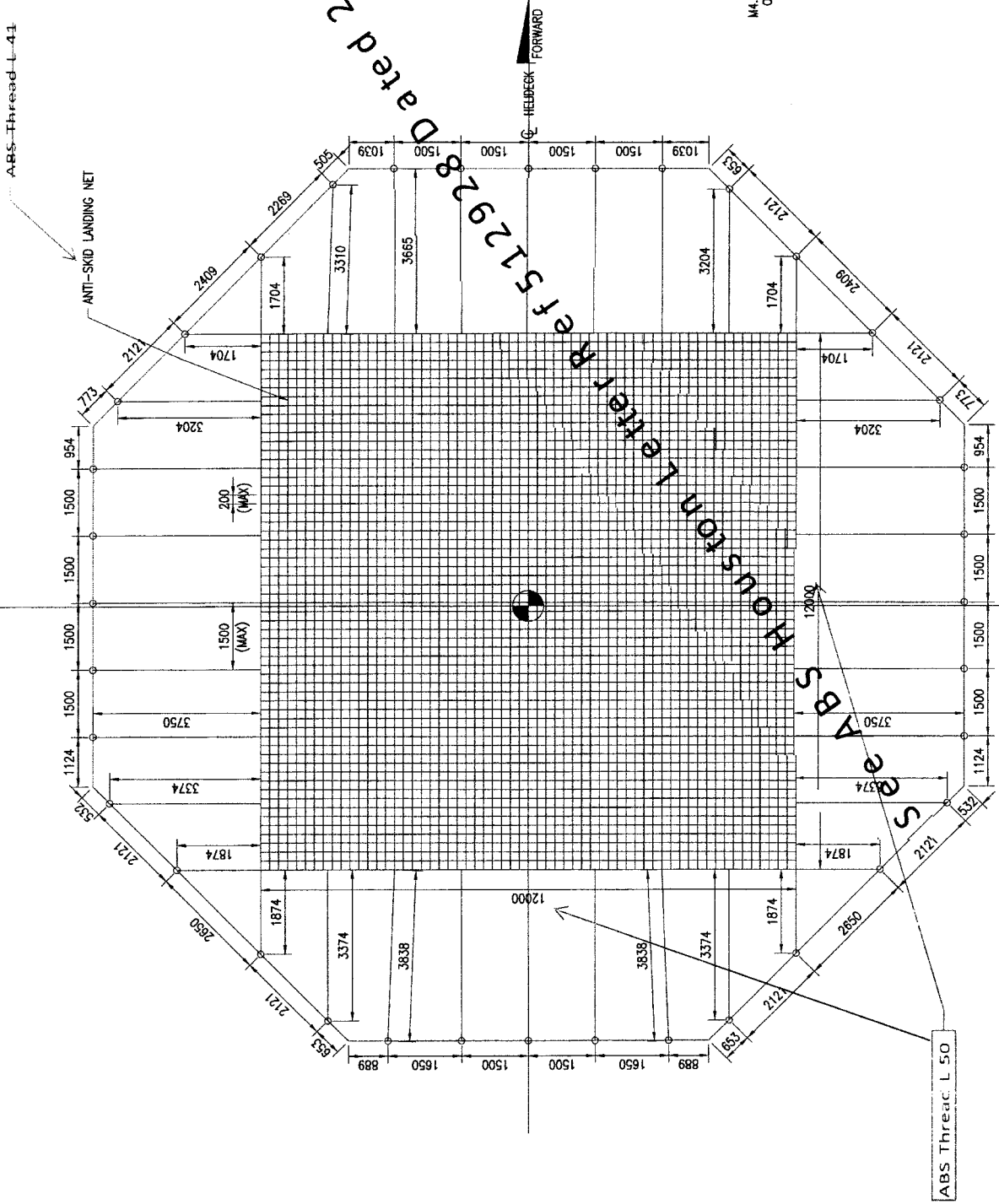
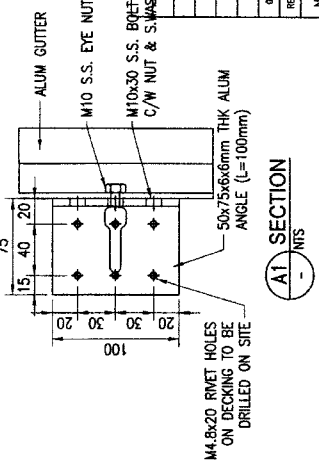
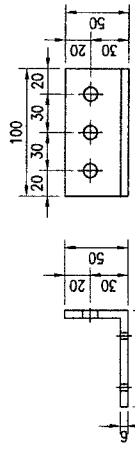
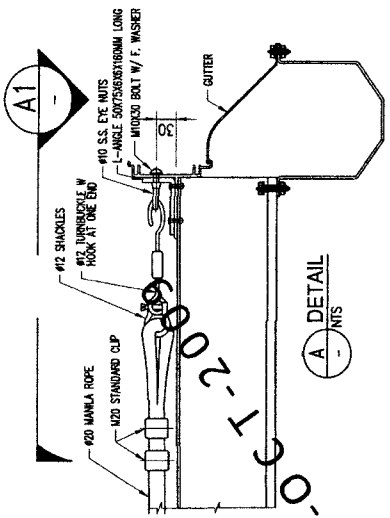
ISSUED FOR CLIENT'S APPROVAL	G.A. SIGNATURE	DATE
REVISIONS	INITIAL	DATE
NOTICE: THIS DRAWING AND THE INFORMATION IT CONTAINS ARE THE PROPERTY OF THE COMPANY AND ARE NOT TO BE REPRODUCED OR USED IN ANY MANNER OR FOR ANY PURPOSE EXCEPT BY WRITTEN PERMISSION.		
CUSTOMER: _____		
PROJECT NAME: _____		
19.5M DIAMETER OCTAGONAL KITE™ PPM PARAMOUNT SAFETY ALUMINUM HELIDECK		
DESCRIPTION: _____		
MARKING LAYOUT & DETAILS		
JOB NO.	SCALE	DRAWING NO.
DESIGNED	G.B.	DATE
DRAWN	G.B.	DATE
CHECKED	T.Y.	DATE
SHEET/SHEETS		REV
2 OF 2		0

UNLESS OTHERWISE STATED ALL DIMENSIONS ARE IN MM

Dated 27/11/2019

ABS Hous for L 52

- NOTES:
1. STANDARD CLIP, SHACKLE SHALL BE GALVANIZED STEEL UNLESS OTHERWISE STATED.
  2. THE LANDING NET ROPE SHALL BE TENSIONED TO AT LEAST 2228N AS PER CAP 437.
  3. SUFFICIENT AMOUNT OF SEALANT IS TO BE APPLIED AT BOTH SIDES OF U BOLTS DURING INSTALLATION.
  4. LANDING NET USING #20 MANILA ROPE AND SIZED AT 200 MM X 200 MM



FOR APPROVAL

REV.	ISSUED FOR CLIENT'S APPROVAL	S.S. DATE	AMENDMENTS	SERIAL DATE
0				

NOTICE: THIS DRAWING AND THE INFORMATION IT CONTAINS ARE THE PROPERTY OF THE COMPANY AND ARE TO BE REPRODUCED OR USED IN ANY MANNER OR IN WHOLE OR IN PART WITHOUT THE EXPRESS WRITTEN PERMISSION OF THE COMPANY.

PROJECT NAME: 19.5M DIAMETER OCTAGONAL ASTROCH® FINANSTED SAFETY ALUMINIUM HELIDECK

DESCRIPTION: LANDING NET LAYOUT & DETAILS

JOB NO.	SCALE	DATE	DATE	DATE	DATE
	1:100	12.00.09	12.00.09	12.00.09	12.00.09

DESIGNED: G.B. (6)

CHECKED: Y.Y. (1)

DATE: 12.00.09

SCALE: 1:100

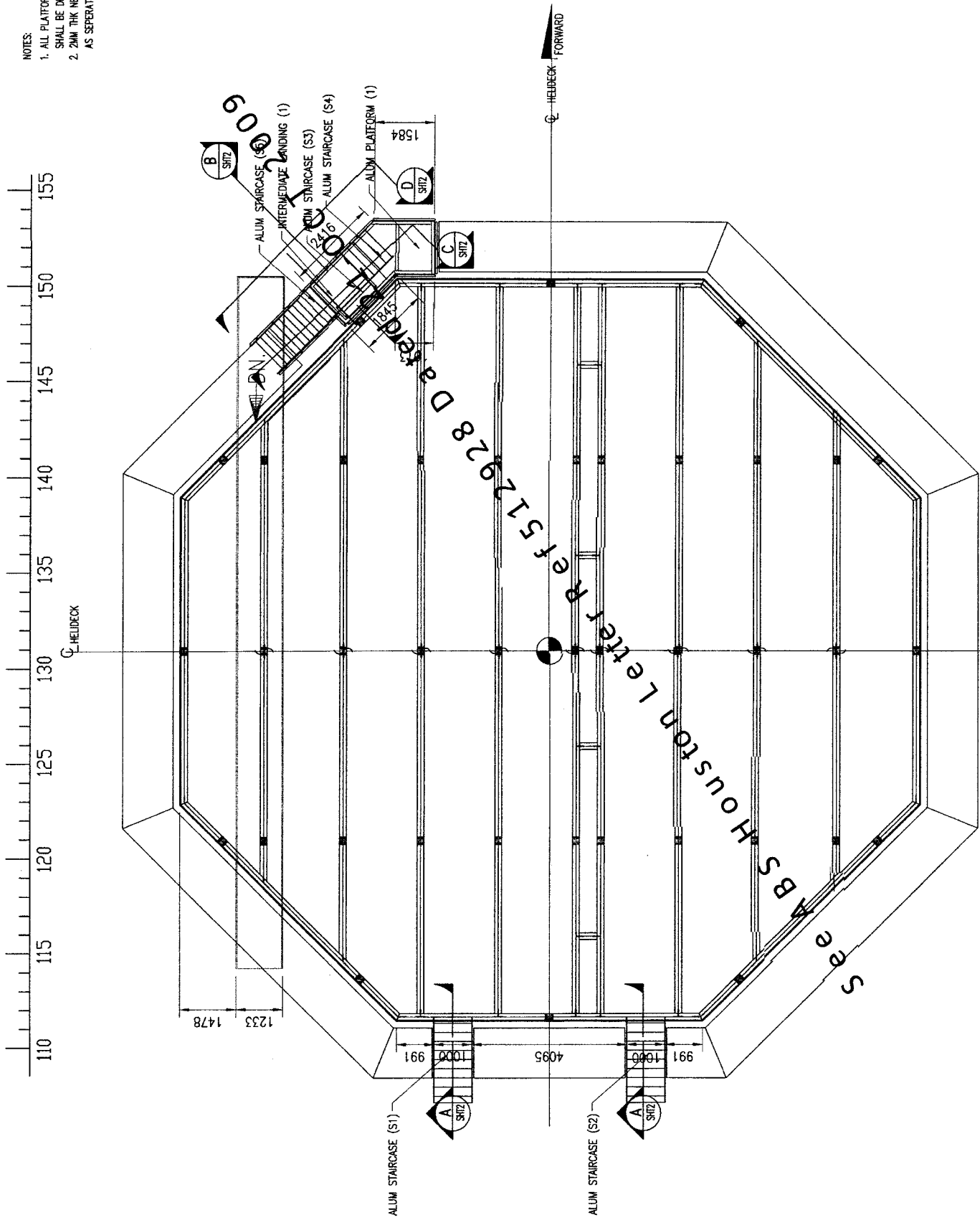
FILE NO.:

SHEET/SHEETS: 1 OF 1

LANDING NET LAYOUT  
SCALE 1:100

NOTES:

1. ALL PLATFORM SUPPORTS FOR PLATFORM 1 SHALL BE DESIGNED AND PROVIDED BY OTHERS
2. 2MM THK NEOPRENE SHEET WILL BE PROVIDED AS SEPARATOR BETWEEN STEEL AND ALUMINIUM INTERFACE

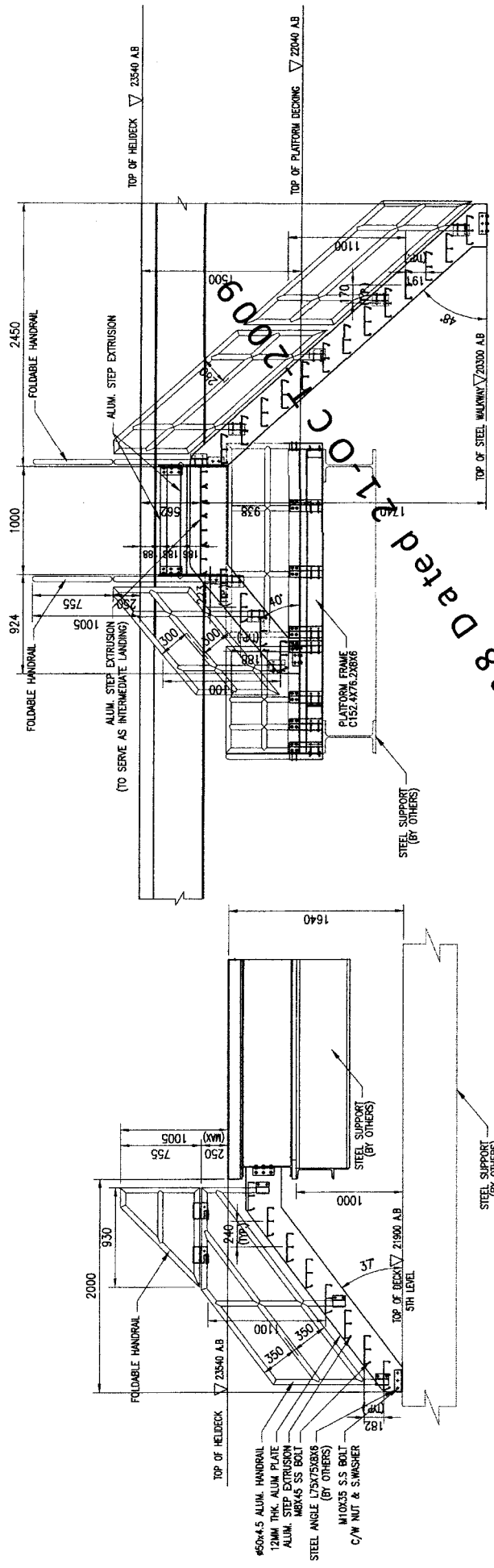


FOR APPROVAL

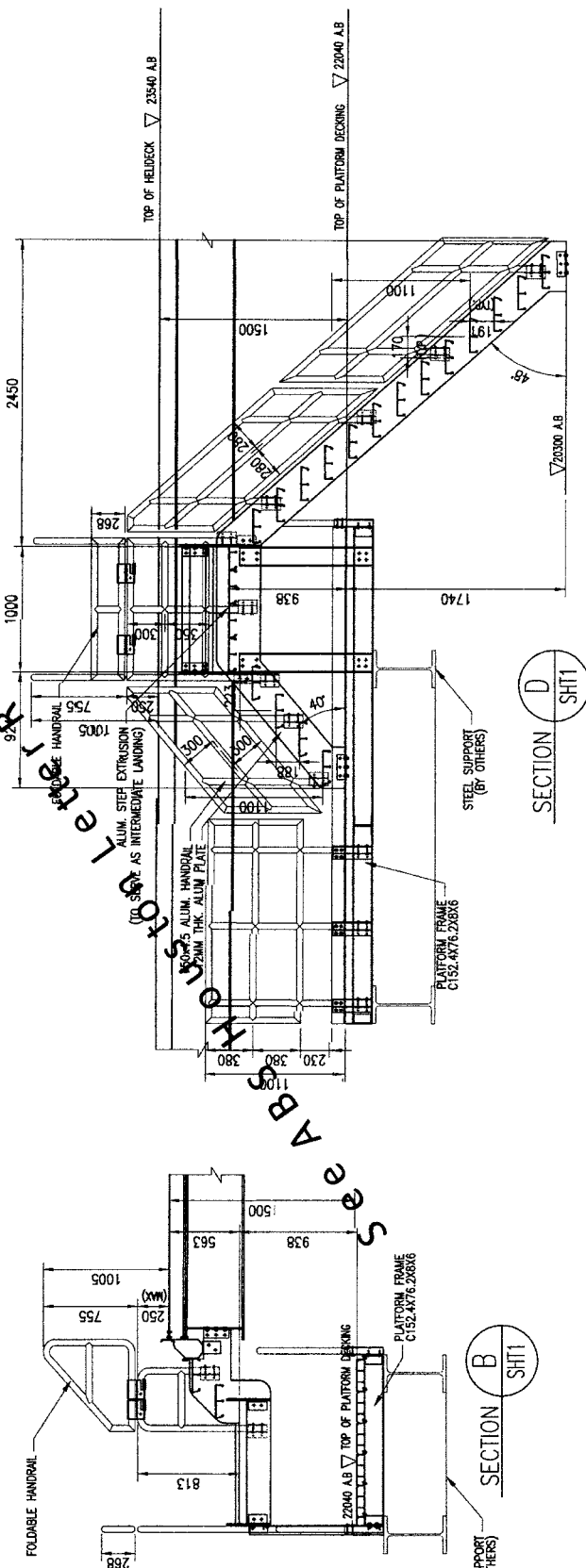
REV.	ISSUED FOR CLIENT'S APPROVAL	G.B.	24.03.08
0			
AMENDMENTS		INITIAL	DATE
<p>THIS DRAWING AND THE INFORMATION IT CONTAINS ARE THE PROPERTY OF ALUMINIUM INDUSTRIES. IT IS TO BE REPRODUCED OR USED IN ANY MANNER OR FOR ANY PURPOSE EXCEPT BY WRITTEN PERMISSION.</p>			
CUSTOMER			
<p>PROJECT NAME 18.5M DIAMETER OCTAGONAL JETTY - PULP MILL SAFETY ALUMINIUM HELIDECK</p>			
<p>DESCRIPTION PLATFORM &amp; STAIRCASE LAYOUT &amp; DETAILS</p>			
JOB NO.	SCALE	DATE	FORM NO.
	1:100	12.05.08	
DRAWN	G.B.	12.05.08	DRG FILE NO.
CHECKED	J.Y.	12.05.08	REV. 0
			SHEET/SHEETS
			1 OF 3

PLATFORM & STAIRCASE LAYOUT  
SCALE 1: 100

UNLESS OTHERWISE STATED ALL DIMENSIONS ARE IN MM

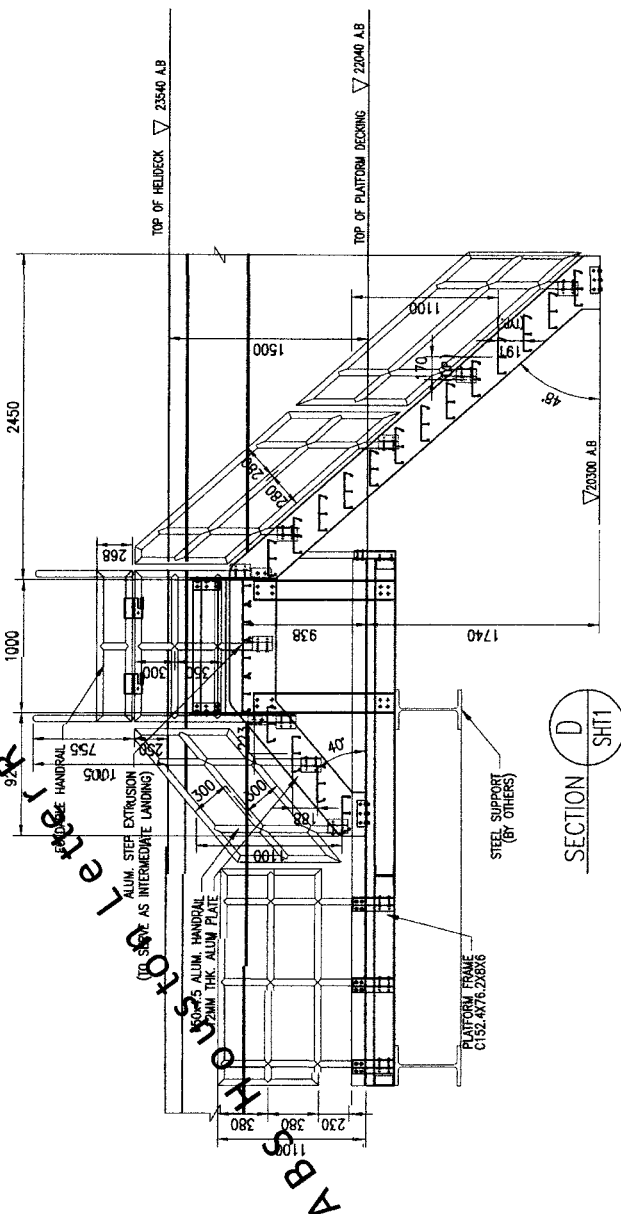


SECTION A  
SH11



SECTION B  
SH11

SECTION C  
SH11



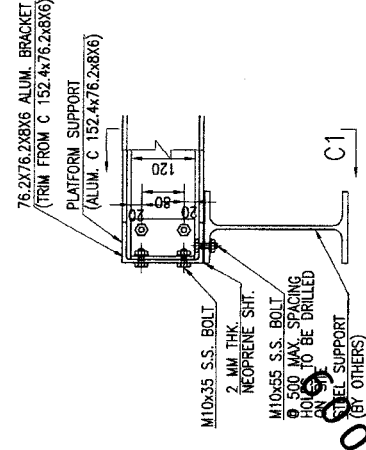
SECTION D  
SH11

Letter Ref 51298 Dated 12/06/09  
 600972009C

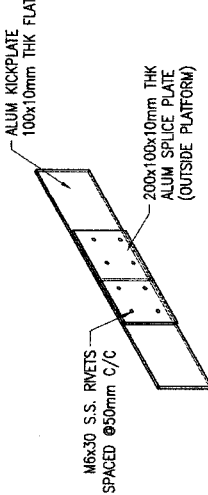
FOR APPROVAL

ISSUED FOR CLIENT'S APPROVAL	C.B. / AUTHOR	DATE
AMENDMENTS	INITIALS	DATE
THIS DRAWING AND THE INFORMATION IT CONTAINS ARE THE PROPERTY OF PETER ABBS ARCHITECTS. IT IS TO BE USED ONLY FOR THE PURPOSE EXCEPT BY WRITTEN PERMISSION.		
NOTICE		
PROJECT NAME 18.5M DIAMETER OCTAGONAL ASTYON PHARMACEUTICAL SAFETY ALUMINUM HELDECK		
CUSTOMER		
DESCRIPTION PLATFORM & STAIRCASE LAYOUT & DETAILS		
JOB NO.	SCALE	PREPARED BY
DESIGNED	DATE	CAD FILE NO.
DRAWN	G.B. 12.05.09	(A3)
CHECKED	G.B. 12.05.09	REV. 0
	Y.Y. 12.05.09	SHEET/SHEETS
		2 OF 3

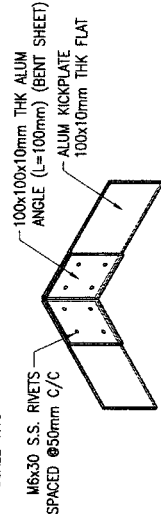
UNLESS OTHERWISE STATED ALL DIMENSIONS ARE IN MM



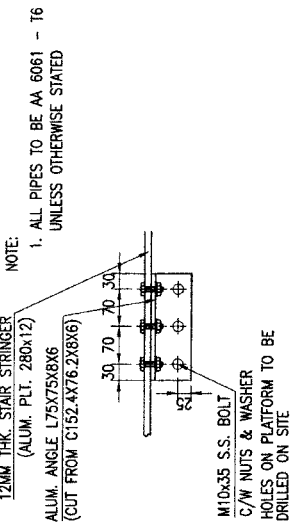
TYP. PLATFORM SUPPORT TO STEEL BEAM CONNECTION DETAIL  
 SCALE 1:10



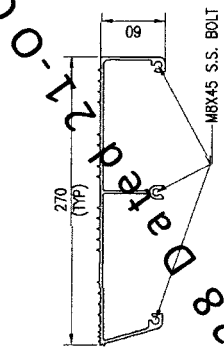
TYPICAL KICKPLATE SPLICE DETAIL  
 SCALE 1:10



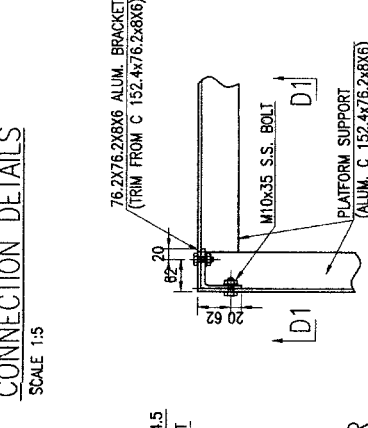
TYPICAL KICKPLATE CORNER DETAIL  
 SCALE 1:10



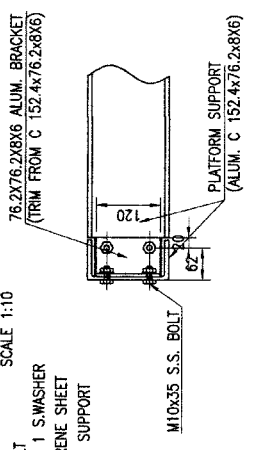
TYP. STAIR STEP & CONNECTION DETAILS  
 SCALE 1:5



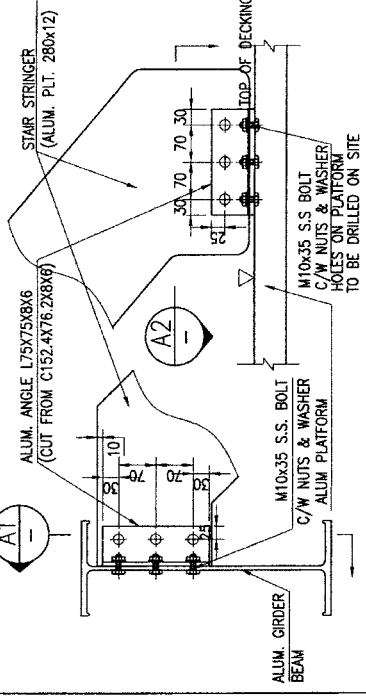
TYP. HANDRAIL TO STRINGER CONNECTION DETAIL  
 SCALE 1:10



TYP. HANDRAIL TO STRINGER CONNECTION DETAIL  
 SCALE 1:10

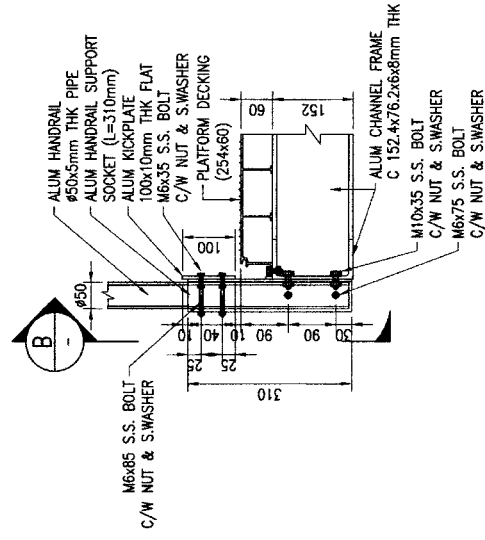


DETAIL C2  
 SCALE 1:1

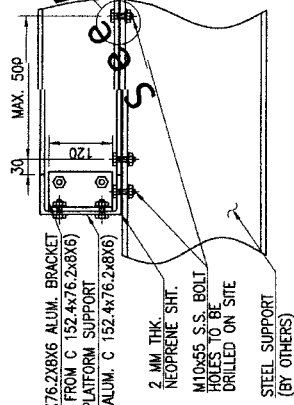


TYPICAL STAIR STRINGER CONNECTION DETAILS  
 SCALE 1:10

NOTES: ALUM. ANGLE SHALL BE PLACED AT INNER SIDE OF THE STAIRWAY (FOR STAIR S1, S2 & S3)



TYP. HANDRAIL TO PLATFORM CONNECTION DETAIL  
 SCALE 1:10



SECTION C1  
 SCALE 1:10

REV.	NOTICE	DATE	INITIAL	DATE
0	ISSUED FOR CLIENT'S APPROVAL	08.12.2019	CB	24.09.19

THIS DRAWING AND THE INFORMATION IT CONTAINS ARE THE PROPERTY OF HOUSTON ENTERPRISE GROUP. IT IS TO BE REPRODUCED OR TRANSMITTED IN ANY FORM OR BY ANY MEANS, WITHOUT PERMISSION, IN WHOLE OR IN PART.

PROJECT NAME	SCALE	DRAWING NO.	CAD FILE NO.
19.54 DIAMETER OCTAGONAL ACTIVITY PLATFORM SAFETY ALUMINIUM HELICO	AS SHOWN	12.02.19 (A)	

DESIGNED	CHECKED	DATE
G.B.	V.Y.	12.02.19

DESCRIPTION: PLATFORM & STAIRCASE LAYOUT & DETAILS

JOB NO.	NAME	DATE	SCALE

UNLESS OTHERWISE STATED: 6:1 PLATFORM, 8:1:10

FOR APPROVAL

SECTION D1  
 SCALE 1:10

Houston Enterprise Group