

# Lamp Unit (LED-LAMP-20)



## Features

- High efficiency LED lamp unit (equivalent to 200W of Halogen light)
- Status and fault report
- Wide beam angle
- Temperature management
- Rugged construction
- Designed for subsea use
- Optional adjustable mounting bracket
- Dimming Ability

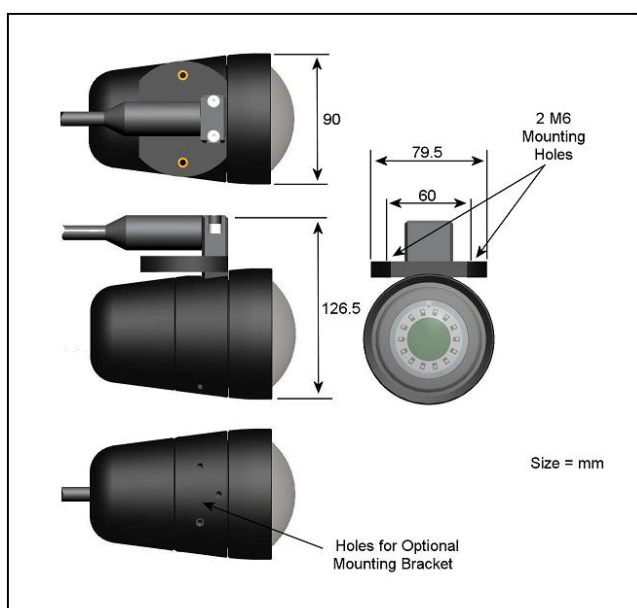
The Lamp Unit (LED-LAMP-20) is formed within a rugged enclosure and contains all the electronic control circuits for the LEDs and fault diagnosis interrogation. It provides a high intensity directional flood light for excellent illumination in underwater environments.

## Specifications:

<b>Power:</b>	34W
<b>Luminous Intensity:</b>	3520 Lumens
<b>LED Colour:</b>	Daylight White
<b>LED Life:</b>	50,000 Hours
<b>Colour Temperature:</b>	6500K
<b>Voltage:</b>	48VDC
<b>Operating Depth:</b>	1000m
<b>Weight in Air:</b>	1.1Kg
<b>Weight in Salt Water:</b>	0.36Kg
<b>Control:</b>	RS485 ½ Duplex
<b>Connector:</b>	5-Way
<b>Pin-out:</b>	1 – VDC, 2 – TEL A, 3 – TEL B, 4 – 0V, 5 – Earth

Notes: Specifications may change without prior notice

<u>Other Options:</u>	LED-LAMP-20-A	LED-LAMP-20-Y
<b>Variant:</b>	<b>Longer 2.5m penetrator lead and mounting for a Tilt platform</b>	<b>Twin Lamps on a single penetrator lead</b>



**Saab Seaye Ltd**  
20 Brunel Way,  
Segensworth East,  
Fareham, Hampshire,  
PO15 5SD,  
United Kingdom

Tel: +44 (0) 1489 898000  
Fax: +44 (0) 1489 898001

E-mail: rovs@seaeye.com  
www.seaeye.com